



# Monarch<sup>®</sup> AT Handpiece

## INSTRUCTIONS

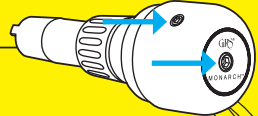
INSTRUCTIONS • #005-921-AT

#005-921-AT Compatible GRS<sup>®</sup> systems include: GraverMach<sup>®</sup> AT, or an Airtact Control System (#004-935) connected to a GraverMax<sup>®</sup> G8, GraverMach<sup>®</sup>, GraverMax<sup>®</sup> SC, GraverSmith<sup>®</sup>, or Classic GraverMax<sup>®</sup> / GraverMate<sup>®</sup> (with Airtact Filter Hook Up Kit) machines.

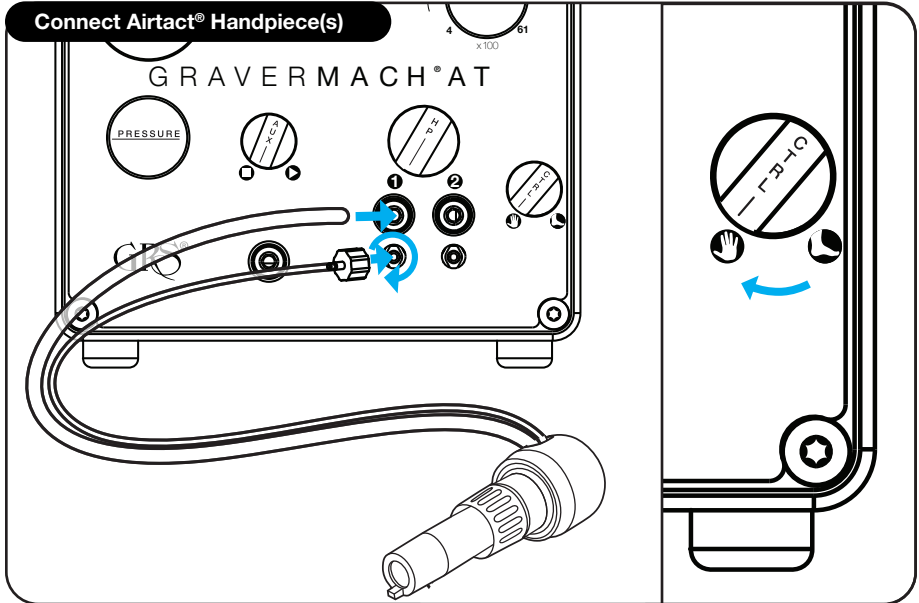
### WARNING

Monarch AT Handpiece is factory set and ready for use.  
**No adjustments are necessary before use.**

Tampering with screws on base will compromise handpiece performance and usability.

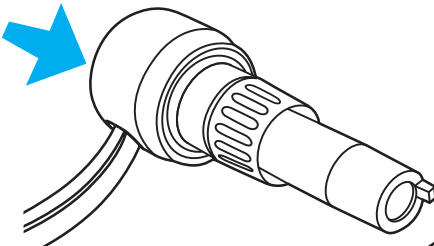


#### Connect Airtact<sup>®</sup> Handpiece(s)



#### Handpiece Operation

Press the handpiece knob to actuate the Airtact handpiece.



#### Maintenance & Repair

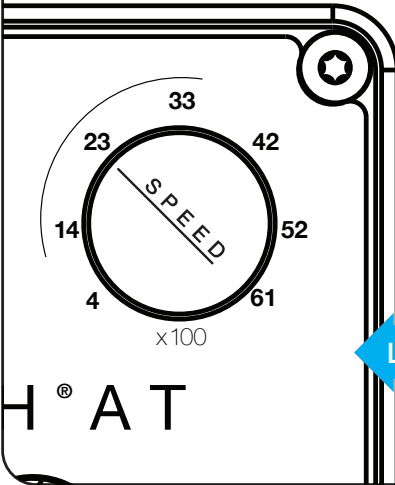
Contact us for issues or problems you may have with your handpiece.

Email: [hello@grs.com](mailto:hello@grs.com)

Call: 800-835-3519  
8:00am-5:00pm CST

# HANDPIECE TUNING

Turn the Speed Dial to 2300.



## SPEED

Stroke speed is a matter of personal preference and experience. Experiment with the settings to better understand how the speed relates to technique. Each handpiece has a normal speed range. Operating outside this range can produce erratic results.

Strokes Per Minute

LOW

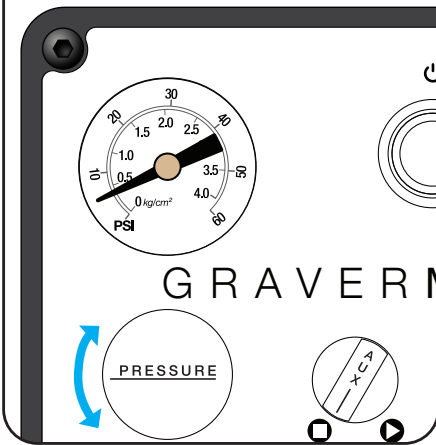
HIGH

STIPPLING  
AND SIMILAR  
TECHNIQUES

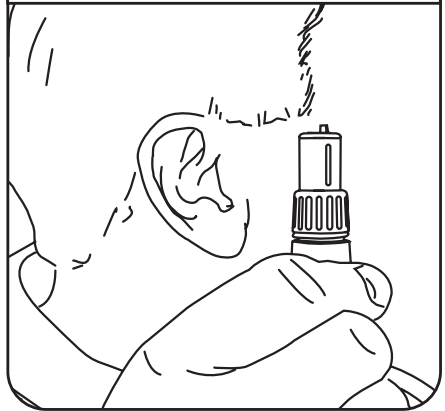
MAXIMUM-POWER  
TASKS

FINE CUTS  
AND  
FINISHES

Set the Air Pressure to 5 psi  
(0.4 bar).

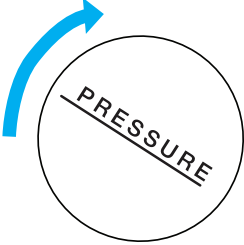



Hold the selected  
handpiece vertically near  
either ear as shown.



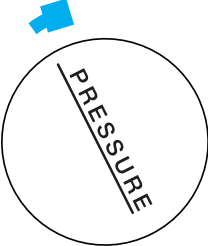
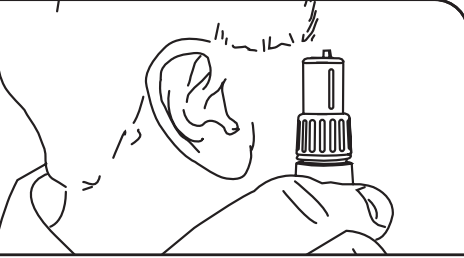
# HANDPIECE TUNING (CONTINUED)

**WITHOUT** operating the pedal, slowly increase the air pressure.

Once the pressure increases enough, the handpiece will begin to knock.

Stop adding air pressure immediately after the knocking stops.

This is the perfect air pressure operating range for the selected handpiece model.

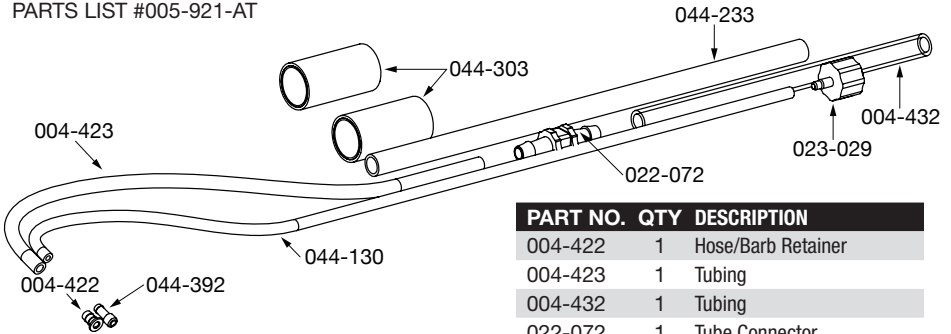
The settings in the chart may be used for adjusting the selected handpiece; this method is not as precise. Set the SPM dial and the air pressure control knob to the Recommended Initial Setting for the selected handpiece.

## HANDPIECE FINE ADJUSTMENT

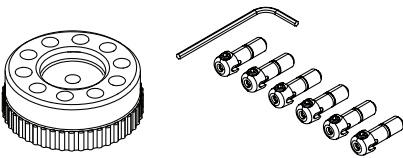
HANDPIECE	TYPE	SPEED <i>Operating Range</i> <b>Recommended</b>	PRESSURE <i>Operating Range</i> <b>Recommended</b>
<b>Monarch™</b> 004-921, 004-926, 005-921-AT	Standard	2000-5000 <b>3000</b>	10-13 psi (0.7-0.9 bar) <b>11 psi (0.8 bar)</b>
	Fine	2000-5000 <b>3000</b>	6-8 psi (0.4-0.6 bar) <b>7 psi (0.5 bar)</b>

# MONARCH® AT HANDPIECE

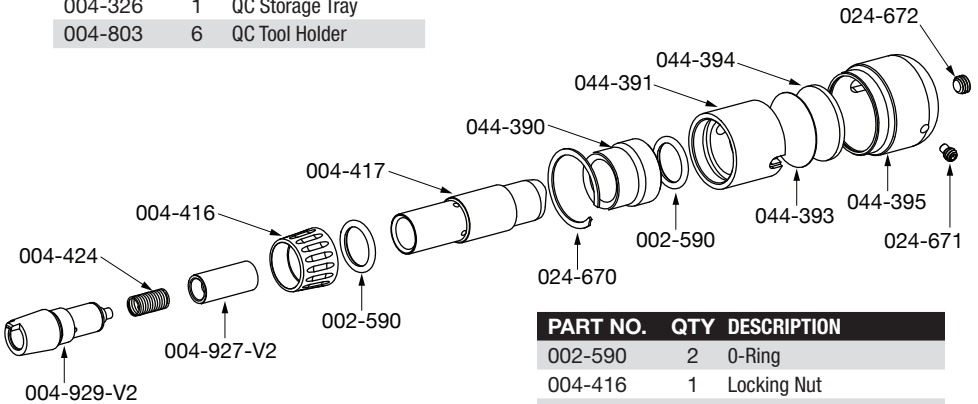
PARTS LIST #005-921-AT



PART NO.	QTY	DESCRIPTION
004-422	1	Hose/Barb Retainer
004-423	1	Tubing
004-432	1	Tubing
022-072	1	Tube Connector
023-029	1	Fitting
044-130	1	Tubing
044-233	1	Braided Sleeve
044-303	2	Heat Shrink Wrap
044-392	1	Air Inlet



PART NO.	QTY	DESCRIPTION
002-605	1	Wrench
004-326	1	QC Storage Tray
004-803	6	QC Tool Holder



PART NO.	QTY	DESCRIPTION
002-590	2	O-Ring
004-416	1	Locking Nut
004-417	1	Handpiece
004-424	1	Spring, Monarch Standard
004-927-V2	1	Piston
004-929-V2	1	Receiver
024-670	1	Retaining Ring
024-671	1	Set Screw
024-672	1	Set Screw
044-390	1	Nose Piece
044-391	1	Rear Section
044-393	1	Disk
044-394	1	Pressure Disk
044-395	1	Shell Knob

## GLENDO LLC

900 Overlander Road • Emporia, KS 66801 USA  
 800-835-3519 • 620-343-1084 • Fax: 620-343-9640  
 hello@grs.com • grs.com  
 Last Update: 08/07/2024