



GRAVERSMITH®

#005-895 • grs.com • LIT-570-GraverSmith-QuickStart

QUICK SET UP

1 Connect To Air Filter

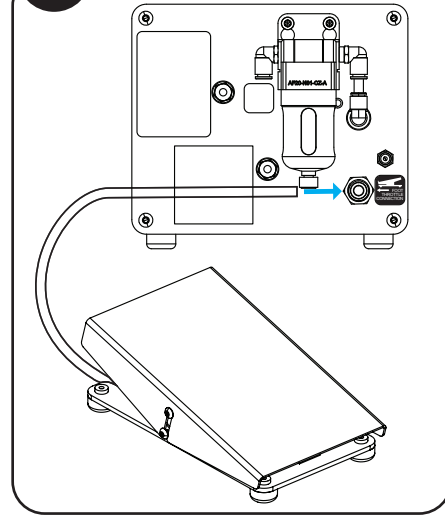
To Air Supply

Turn Clockwise Air Filter Knob

Insert hose from air supply to filter fitting marked "Air Input" until the hose stops and is secure.

A Drain water from filter daily. Turn knob clockwise (from top view) to open. Drain. Turn knob counter-clockwise to close valve.

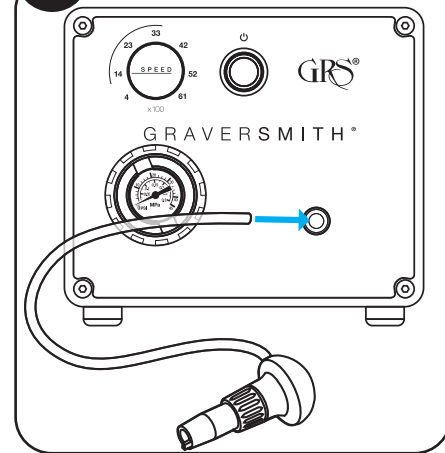
2 Connect Foot Pedal



3 Connect Electrical Power

DO NOT OPERATE ENGRAVING SYSTEM WITHOUT AN ACTIVE AIR SUPPLY CONNECTED.

4 Connect Handpiece



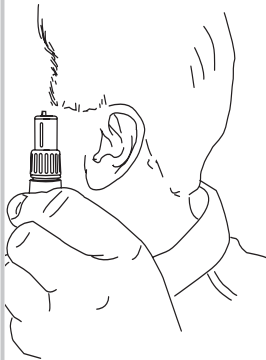
5 Handpiece Tuning (Turn power on)

Set the Air Pressure to 5 psi (0.4 bar).

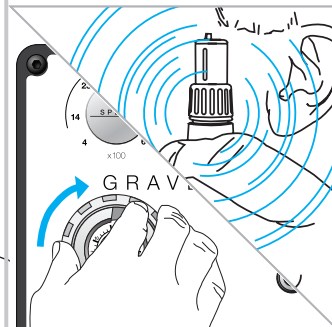
Turn the Speed Dial to 2300.



Hold the selected handpiece vertically near either ear as shown.

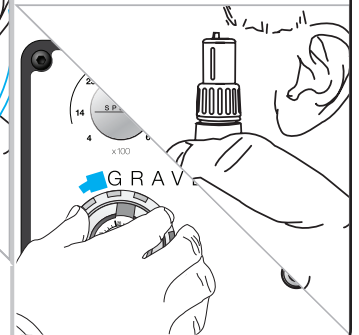


WITHOUT operating the throttle, slowly increase the air pressure.



As the pressure increases, the handpiece will begin to buzz, then vibrate, and then knock.

Stop adding air pressure immediately after the knocking stops. This is the perfect air pressure operating range for the selected handpiece model.





**GRS® Air Systems
require OIL-FREE
compressed air**

NOTICE: This machine requires clean, dry oil-free air. We suggest using an oil free compressor. If your compressor is an oil type, you MUST have an oil removal filter, coalescing type (#004-579 or equivalent), in the air supply line to this machine. If you are unsure of this requirement, please call 800-835-3519 and ask for Technical Services. OIL CONTAMINATION IS NOT COVERED BY WARRANTY.

GLENDO LLC

900 Overlander Road • P.O. Box 1153, Emporia, KS 66801 USA
800-835-3519 • 620-343-1084 • Fax: 620-343-9640
glendo@glendo.com • grs.com

Last Update: 2024-08-08

LIT-570-GraverSmith-QuickStart