



Ball Pivot Camera Mount

FOR THE LEICA A60 MICROSCOPE

INSTRUCTIONS • #003-728

1. INSTALLATION

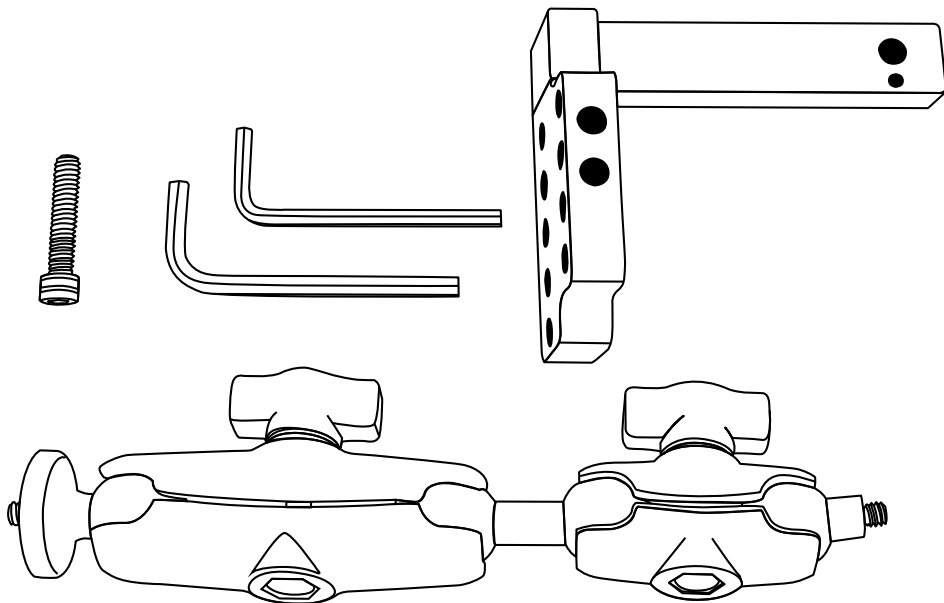


FIG. 1.1

NOTE: This portion of headrest assembly (#003-660) is necessary to attach the Camera Mount to the microscope stand. The camera mount is attached to the lower block on the assembly. See LIT-416 for headrest installation instructions.

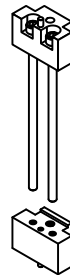
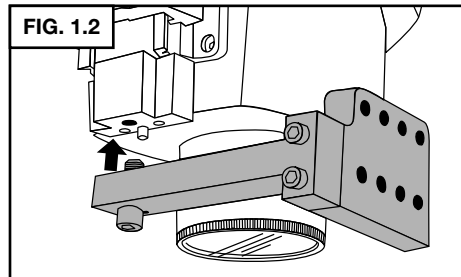
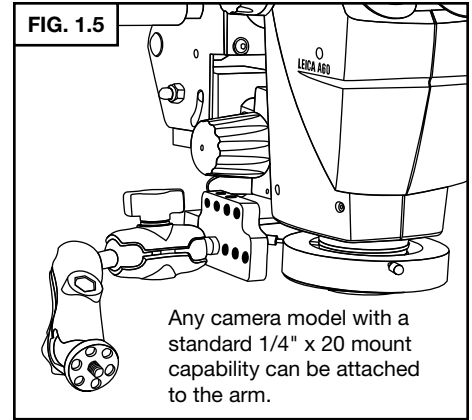
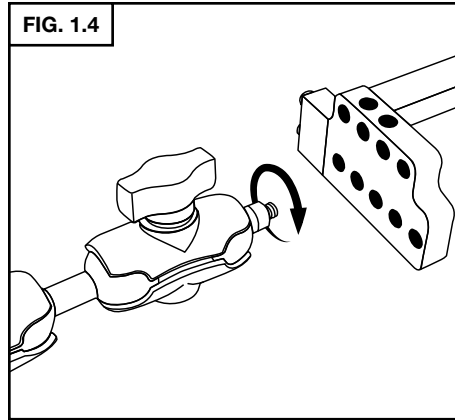
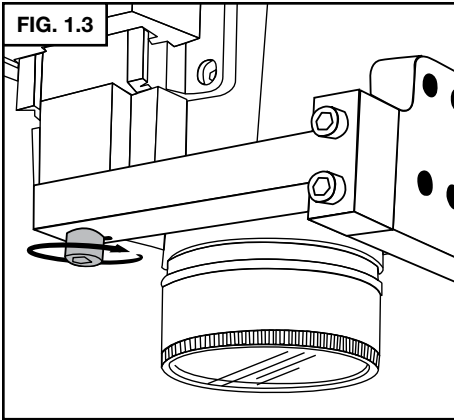
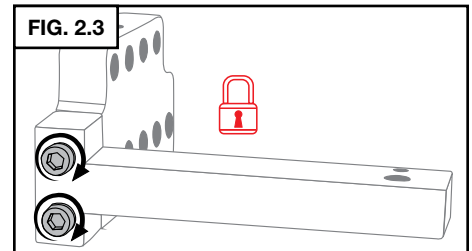
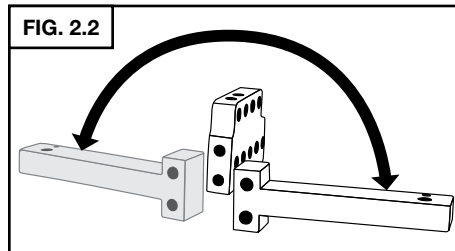
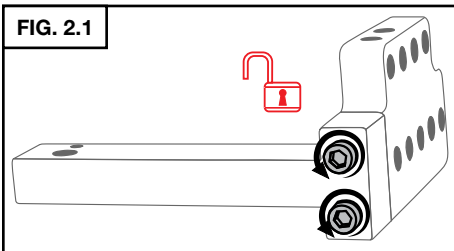


FIG. 1.2





2. SWITCHING CAMERA MOUNT SIDE



GLENDO LLC

900 Overlander Road • Emporia, KS 66801 USA
800-835-3519 • 620-343-1084 • Fax: 620-343-9640
grs@grstools.com • www.grstools.com
Last Update: 2016-03-01