

INSIDE ENGRAVING RING HOLDER

INSTRUCTIONS

Instructions apply to the
following product(s):



500-503

FIG.1

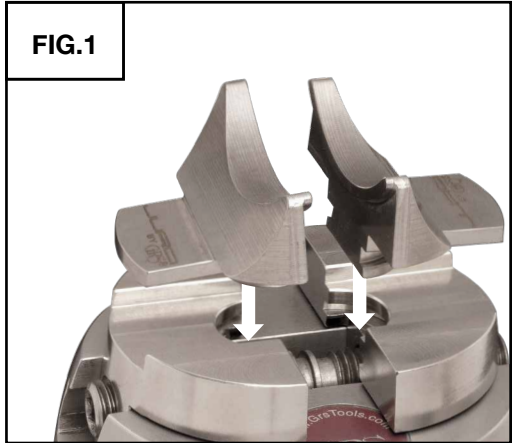


FIG.2



FIG.3



FIG.4

The jaw fixtures have a lip that fits in the groove on the ring holder.

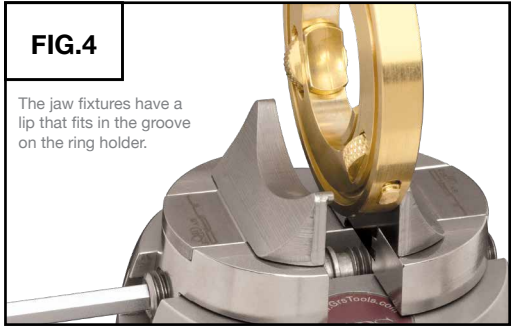


FIG.5

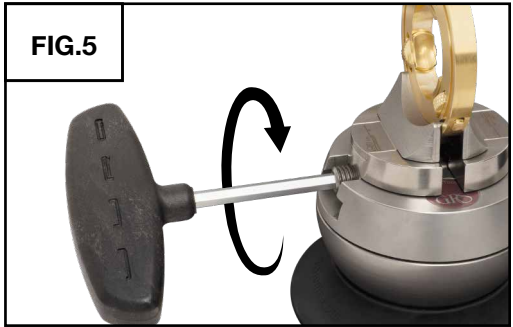


FIG.6

Place the ring between the jaws of the holder.

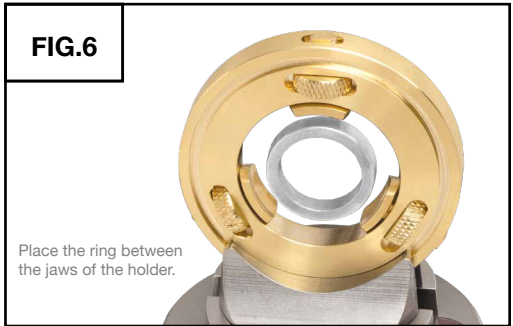


FIG.7

Tighten the thumb screws so the ring is held in place.

