



Magnablock™ Ball Vise

INSTRUCTIONS • #003-021

For Engraving and Jewelry Making

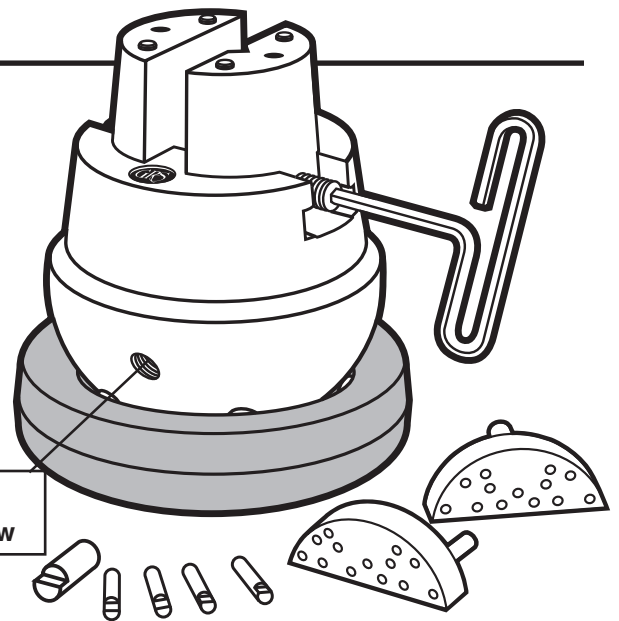
The GRS® Magnablock will provide many years of trouble-free service. It is extremely rugged in construction, yet is relatively simple and easy to maintain. Required lubrication is minimal.

The jaw adapter plates are drilled to accept engraving block attachments. GRS® offers the 520 Attachment Set (#003-520) that includes storage for the adapter plates and pins that come with the block.

Maintenance

Based on usage, open jaws fully and clean the dirt and metal pieces from the threads. After cleaning, apply a small amount of light oil to the threads. To disassemble, remove the Ball Swivel Tension Screw and Spring from the side of the ball. Grasp the Crown Assembly and carefully lift the Crown.

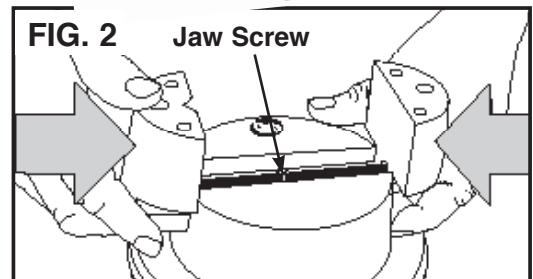
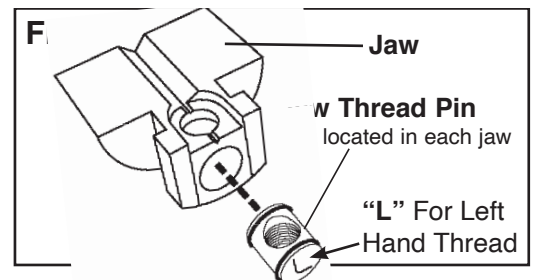
Ball Swivel Tension Screw



Vise Jaw Thread Replacement • #003-627 & #003-628

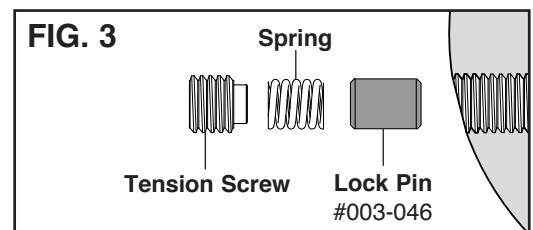
Overtightening the jaws will cause wear and damage to the threads. If jaws become loose, replace with kit #003-627. Remove the jaws by opening them as wide as possible until they come off the end of the jaw screw (FIG. 1). The jaw thread pin is located on the underside of each jaw. NOTE: Before removing pins, locate the one with the "L". This is the left hand thread pin and will need to be replaced with the same. Apply a small amount of synthetic grease (included in kit) to the O-rings and jaw screw before installing them. Lift the jaw screw out of the yoke and replace it. Note which side the left hand thread is on. Grease the threads and yoke well.

Start the jaw threads at the same time when replacing them (FIG. 2). Hold each jaw in position and turn the jaw screw to close them. Either a large rubber band or a second person is useful to hold the jaws against the thread while the jaw screw is turned. If the jaws don't meet at the same time in the center, remove them and try starting the threads at the same time again.



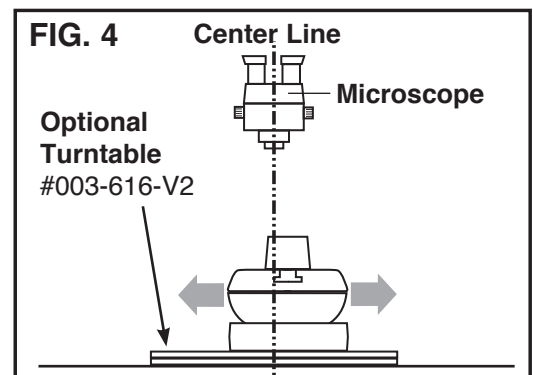
Rotational Lock Replacement

The LOCK or DRAG PIN is subject to wear and may need replacement after extended use. Simply remove the ball swivel tension screw with the hex wrench. The Spring and Lock Pin should follow (FIG. 3). If not, turn the ball until they fall out. Replace the Lock Pin (#003-046), Spring, and Tension Screw.



Turntable Base For Microscope Work • #003-616-V2

To use the Turntable Base, lock the vise by tightening the swivel tension screw until the ball will not turn. The turntable now becomes the means of rotation, allowing the work to be centered in the field of view of the microscope. Align the center of the turntable with the center of the microscope view (FIG. 4). Change working views by repositioning the vise.



Thread Pin Replacement Kit • #003-627

Includes Jaw Screw, Left and Right Thread Pins, O-Rings, and Tube of Synthetic Grease.

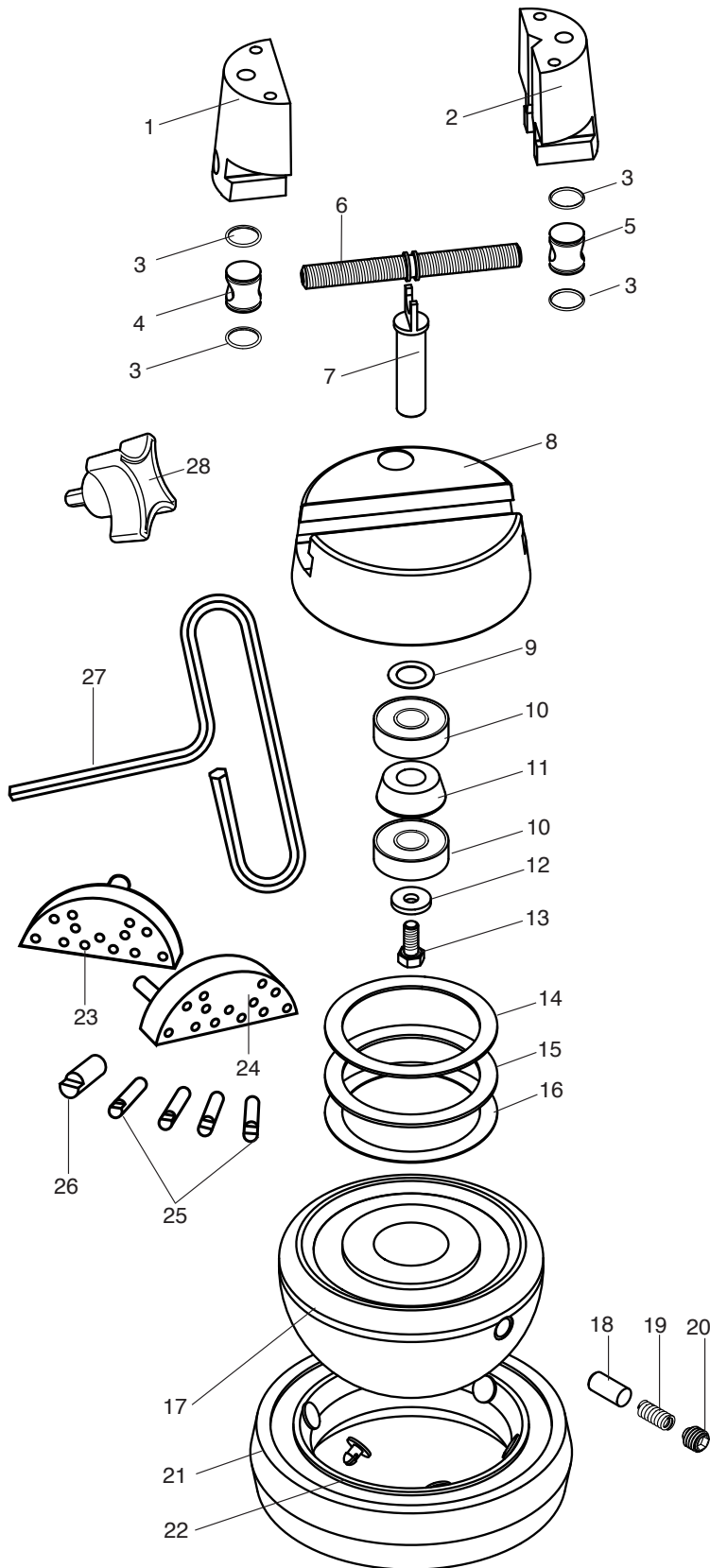


Magnablock™ Ball Vise

For Engraving and Jewelry Making

PARTS LIST • #003-021

GRS® Magnablock Ball Vise Complete Assembly #003-021



PART #	DESCRIPTION
1	003-009 Jaw - Right Hand
2	003-008 Jaw - Left Hand
3	002-127 O-Ring - 0.625" x 0.75" x 0.062"
4	003-065 Pin - Right Hand
5	003-064 Pin - Left Hand
6	003-007 Screw Post
7	003-045 Post
8	003-044 Block Crown S.S.
9	002-238 Thrust Washer
10	002-212 Bearing 5/8 x 1/2
11	003-037 Spacer
12	002-214 Washer - 0.312" x 0.859" x 0.125"
13	002-112 5/16-18 X 3/4" HHB
14	002-213 Bearing Race, 0.078" THK
15	002-088 Bearing, 0.078" THK
16	002-089 Bearing Race, 0.031" THK
17	003-036 Block Base S.S.
18	003-046 Lock Pin
19	003-020 Spring, Block Drag
20	003-067 1/2-13 UNC x 1/2" SHSS
	003-506 Tire Assembly (21 & 22)
21	002-090 Tire
22	002-209 Fastener - Push-In
23	003-508 Pin Plate - 1 pin
24	003-507 Pin Plate - 2 pin
25	003-015 Jaw Pin - 1/4"
26	003-016 Jaw Pin - 3/8"
27	002-091 Wrench - 1/4" T-Handle Hex
28	003-661 1/4" Hex Drive Knob

GLENDO LLC

900 Overlander Road • Emporia, KS 66801 USA
800-835-3519 • 620-343-1084 • 620-343-9640
grs@grstools.com • grs.com
Last Updated: 2020-04-01