



Satellite™ Catch Pan

INSTRUCTIONS • #003-738

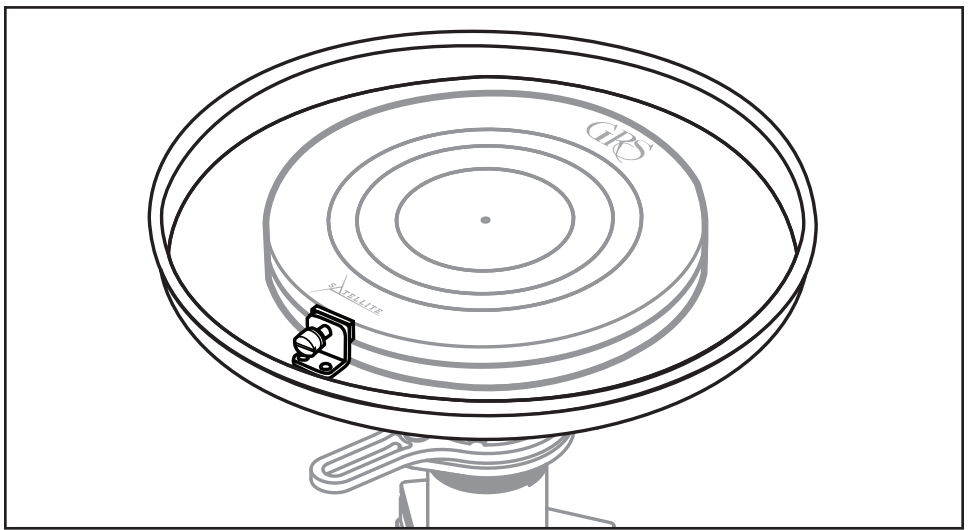


FIG. 1.1

Remove the feet and brake from the Satellite Turntable (#003-656)

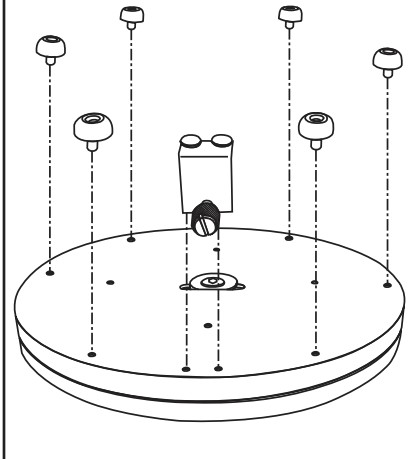
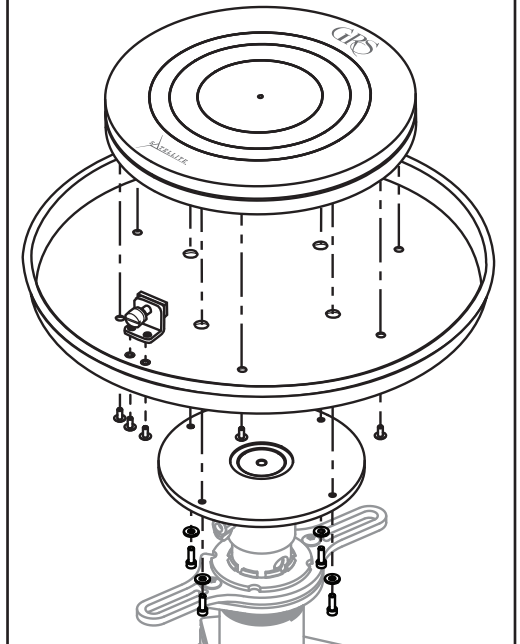


FIG. 1.2



GLENDO LLC

900 Overlander Road • Emporia, KS 66801 USA
800-835-3519 • 620-343-1084 • Fax: 620-343-9640
hello@grs.com • grs.com
Last Update: 2020-03-30

LIT-453