

GRS[®] Acrobat[®] Versa Rotational Axis Adapter

INSTRUCTIONS • #003-407

1. ABOUT THE ADAPTER

FIG. 1.1

The Rotational Axis Adapter is **ONLY REQUIRED** when the Acrobat[®] stand is positioned to the side of the workspace. See FIG. 1.3 and 1.4 for setups that require this adapter.

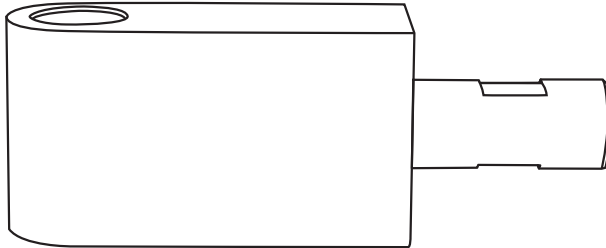


FIG. 1.2

viewed from above

bench

workspace

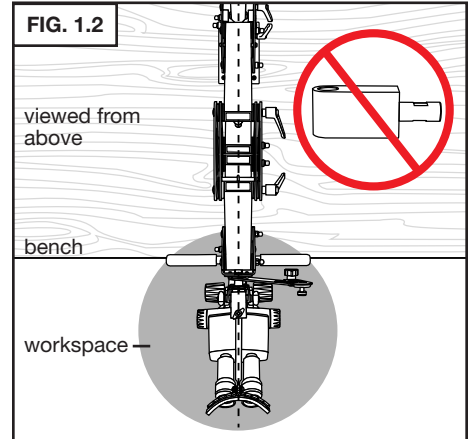


FIG. 1.3

bench

workspace

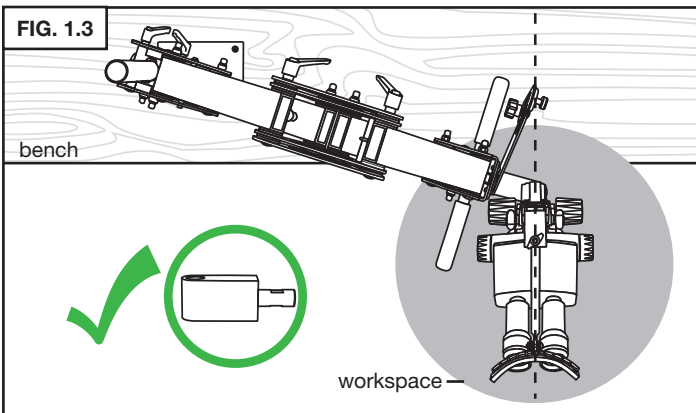
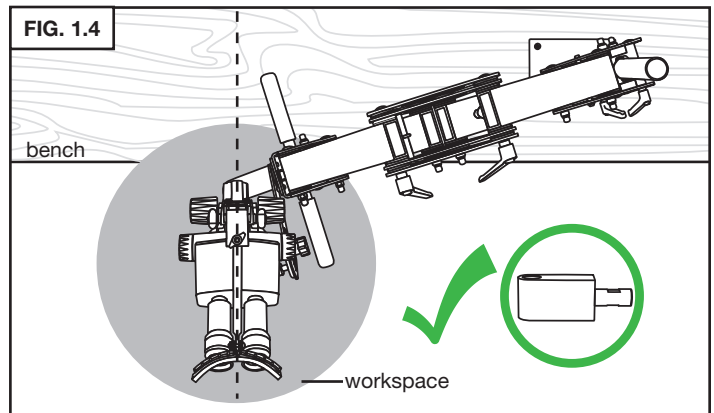


FIG. 1.4

bench

workspace



2. INSTALLATION FOR LEFT/RIGHT MOTION WITHOUT TILT

FIG. 2.1

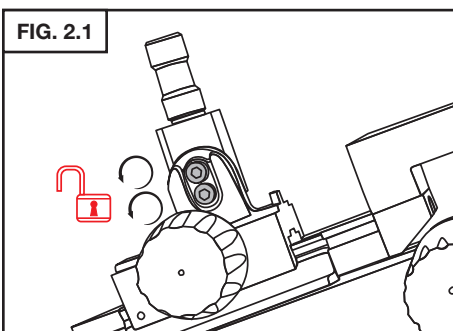


FIG. 2.2

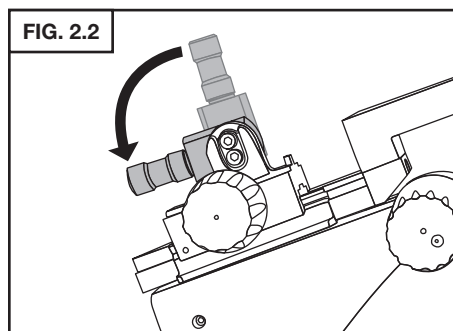


FIG. 2.3

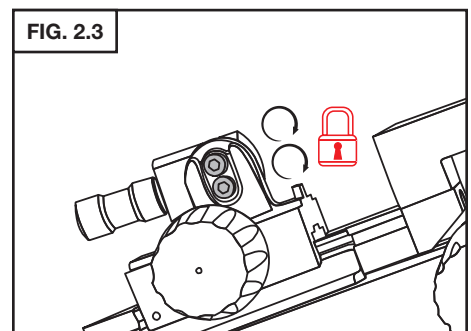


FIG. 2.4

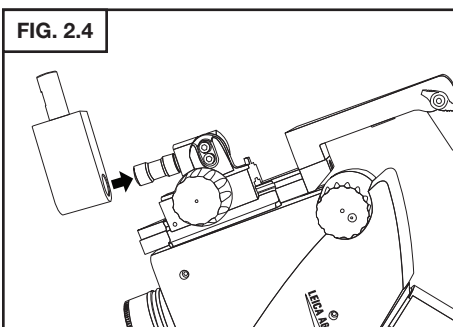


FIG. 2.5

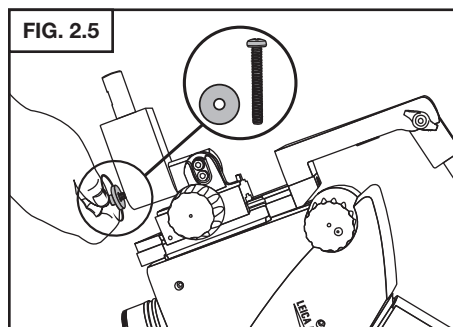
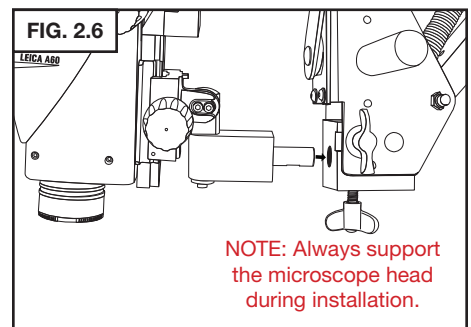
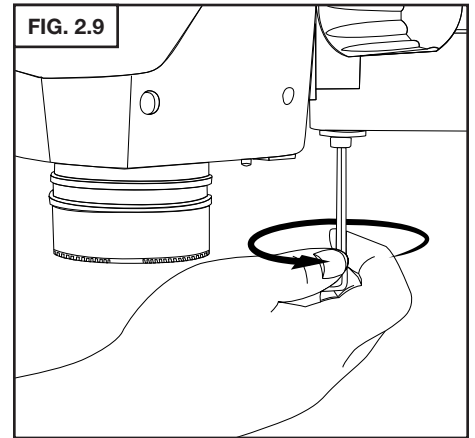
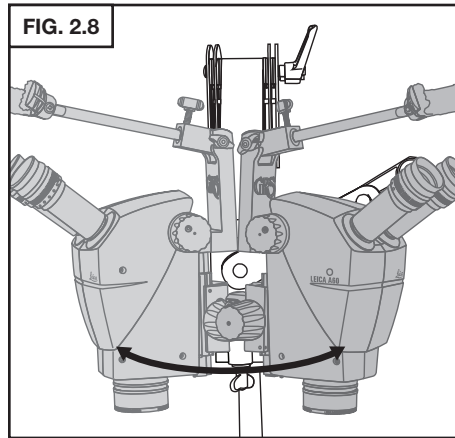
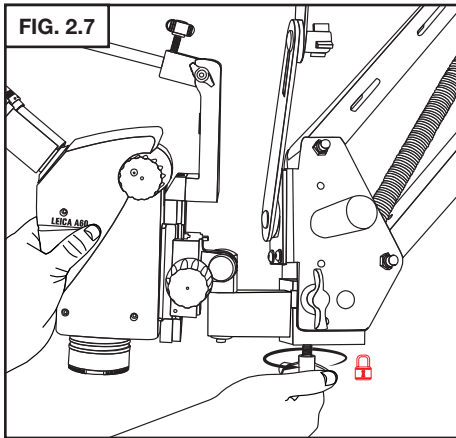


FIG. 2.6

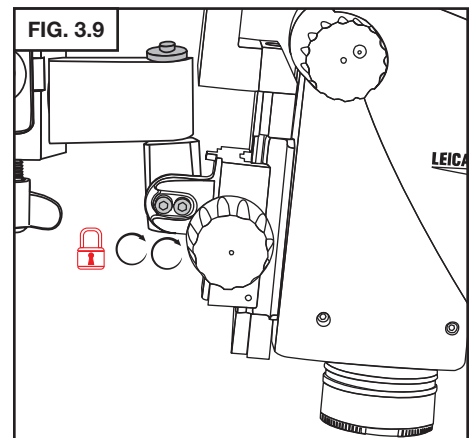
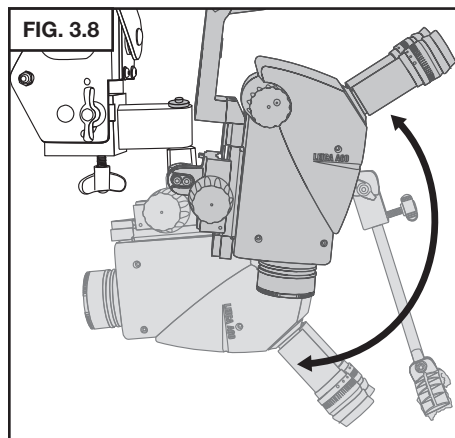
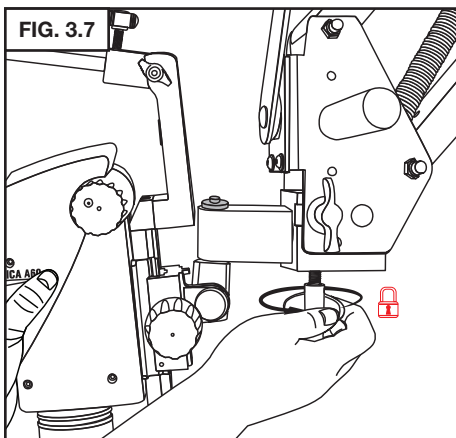
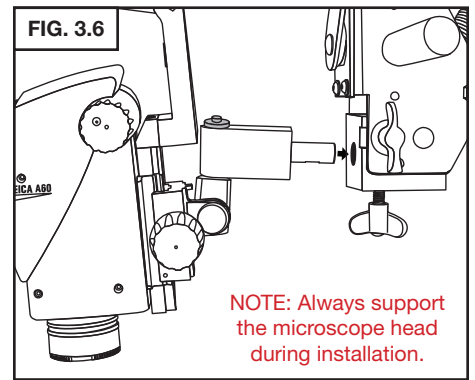
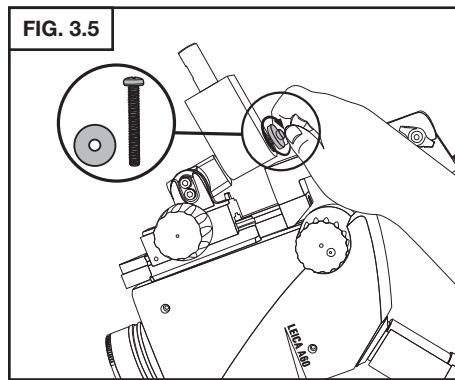
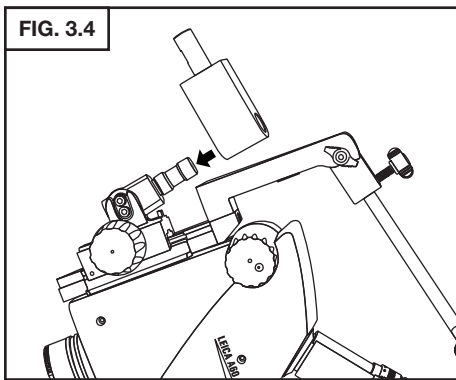
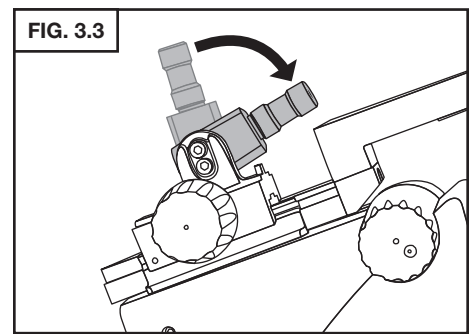
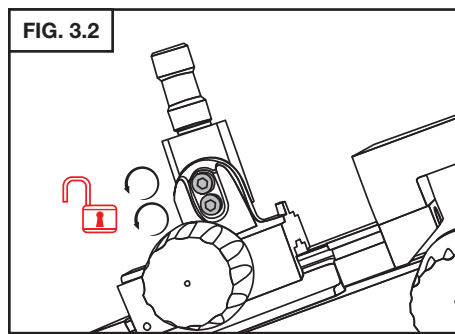
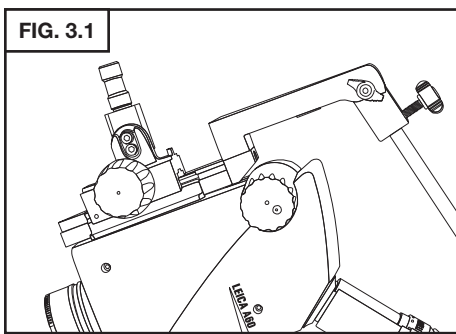


NOTE: Always support the microscope head during installation.

2. INSTALLATION FOR LEFT/RIGHT MOTION WITHOUT TILT (CONTINUED)



3. INSTALLATION FOR LEFT/RIGHT MOTION WITH TILT



GLENDO LLC

900 Overlander Road • Emporia, KS 66801 USA
 800-835-3519 • 620-343-1084 • Fax: 620-343-9640
 grs@grstools.com • grs.com
 Last Update: 2020-03-27