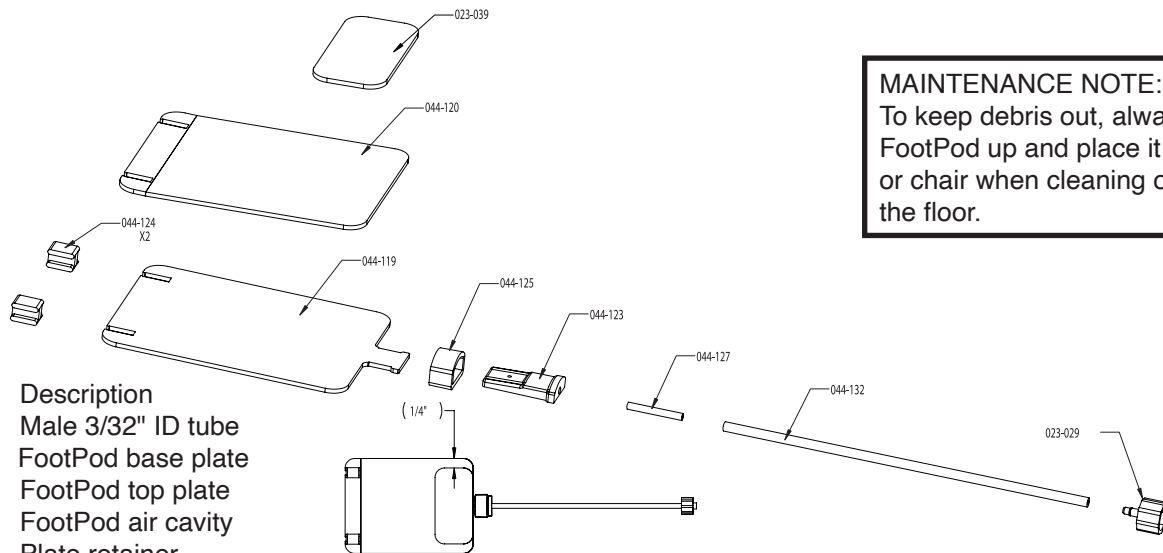




Airtact™ FootPod Touch Element

PARTS LIST

#004-956



MAINTENANCE NOTE:
To keep debris out, always pick the FootPod up and place it on a bench or chair when cleaning or sweeping the floor.

- | Part No. | Description |
|----------|---|
| 023-029 | Male 3/32" ID tube |
| 044-119 | FootPod base plate |
| 044-120 | FootPod top plate |
| 044-123 | FootPod air cavity |
| 044-124 | Plate retainer |
| 044-125 | Retaining band |
| 044-127 | Hose connection 0.094" x 0.063" x 0.750" |
| 044-132 | FootPod control hose, 3/32" ID x 72" long |
| 023-039 | 1" x 2" x 1/16" neoprene pad |

900 Overlander Road • Emporia, KS 66801 USA
800-835-3519 • 620-343-1084 • Fax: 620-343-1084
grs@grstools.com • www.grstools.com
Last Updated: 03/24/2020