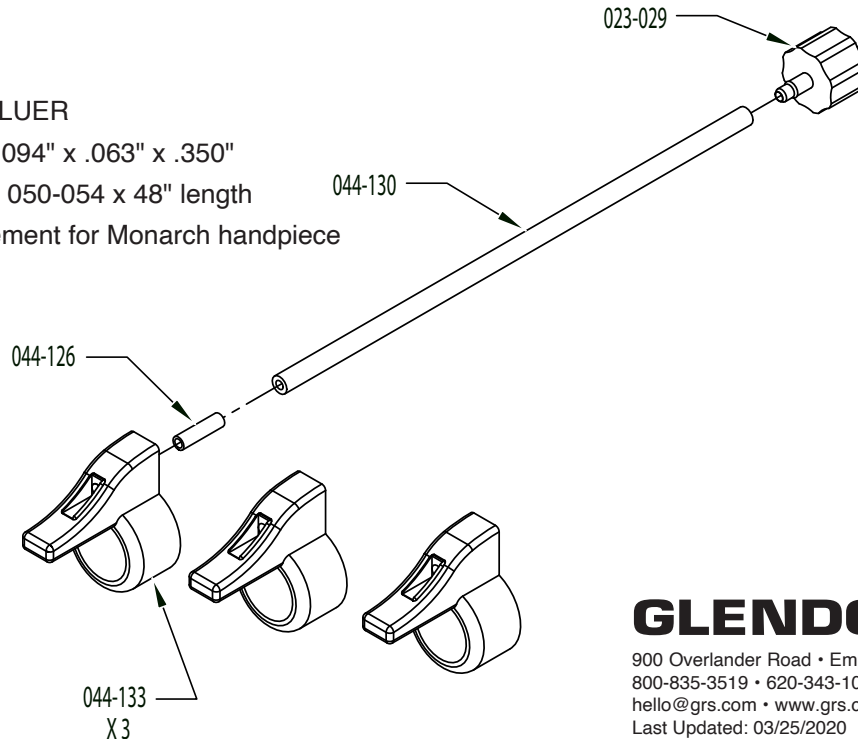


# GRS<sup>®</sup> Airtact™ Thumb/Finger Touch Element

PARTS LIST • #004-954 and #004-955

Part No.	Description
023-029	.063" I.D. Tube F-LUER
044-126	Hose connection .094" x .063" x .350"
044-130	Airtact control line 050-054 x 48" length
044-133	Thumb control element for Monarch handpiece



## GLENDO LLC

900 Overlander Road • Emporia, KS 66801 USA  
800-835-3519 • 620-343-1084 • Fax: 620-343-9640  
hello@grs.com • www.grs.com  
Last Updated: 03/25/2020