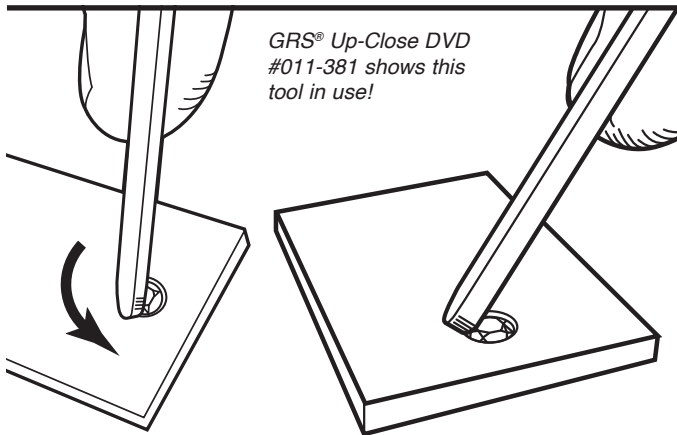


Burnish Tool #022-346

INSTRUCTIONS

This tool is used for burnish, rub-over, or “Gypsy” stone setting. The illustrations below show the proper direction and angle to use this tool. Insert tool in a traditional handle OR make it easy and use the power handpiece of a GraverMach[®], GraverMax[®] SC, GraverMeister[®], or System 3.

NOTE: The brighter the burnisher's tip is polished, the smoother and brighter the burnished area will be.



GLENDO LLC

900 Overlander Road • Emporia, KS 66801 USA
800-835-3519 • 620-343-1084 • Fax: 620-343-9640
grs@grstools.com • www.grstools.com
Last Updated: 2014-09-03

LIT-179