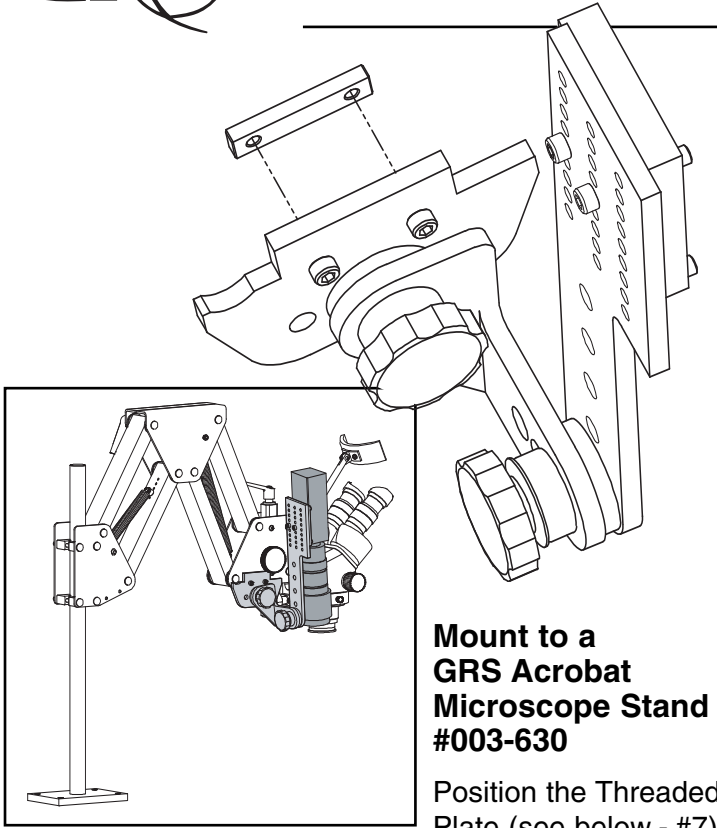




# Camera Mount for GRS® Microscope Stands

SEE BACK FOR MORE DETAILS

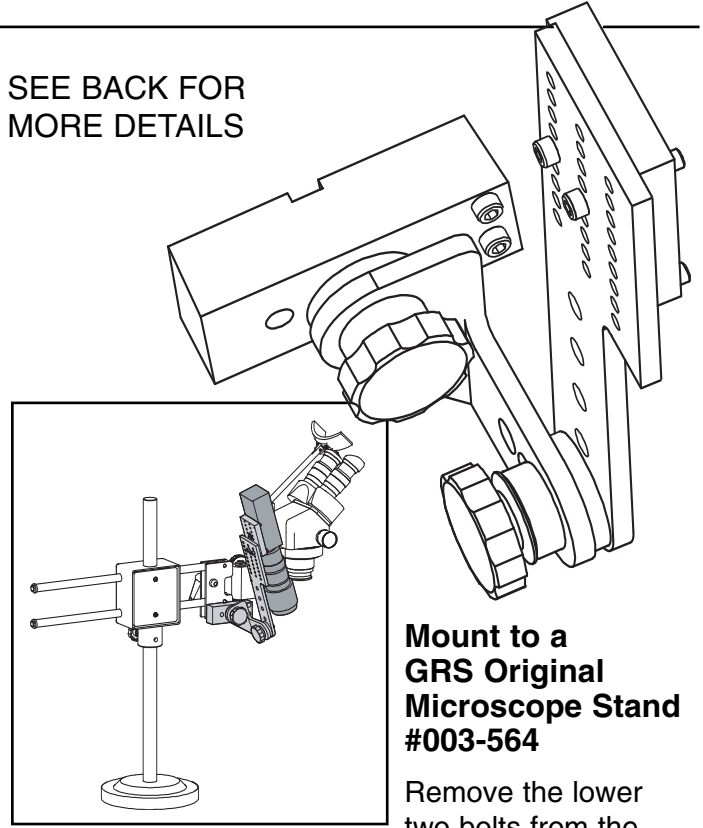


## Mount to a GRS Acrobat Microscope Stand #003-630

Position the Threaded Plate (see below - #7)

on the **inside** of the Acrobat's front - left - side plate. Align it with the two holes located below the adjustment knob. While holding the Threaded Plate, align the Adapter Plate (#6) on the outside and secure with the two #10-32 X 5/8" Cap Screws (#5).

NOTE: This is easier if you remove the Adapter Plate from the rest of the assembly while attaching it to the stand. To do this, simply unscrew the knob.



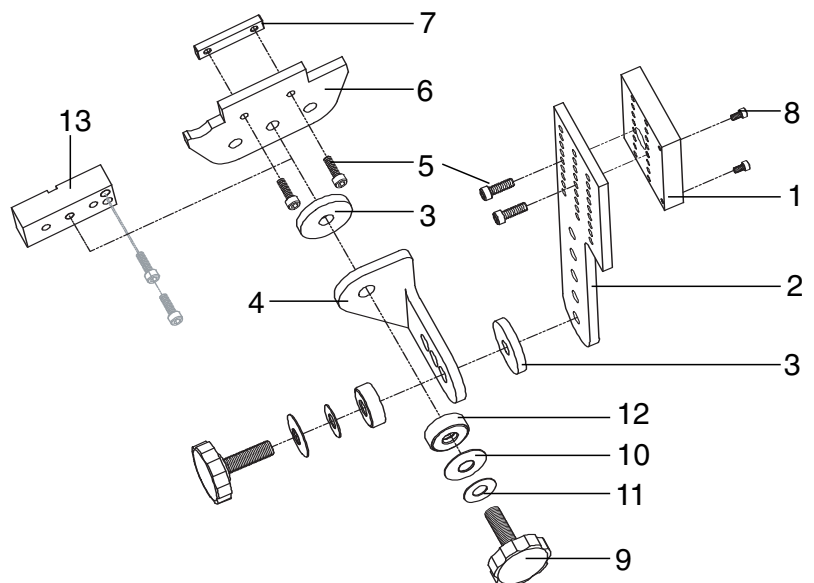
## Mount to a GRS Original Microscope Stand #003-564

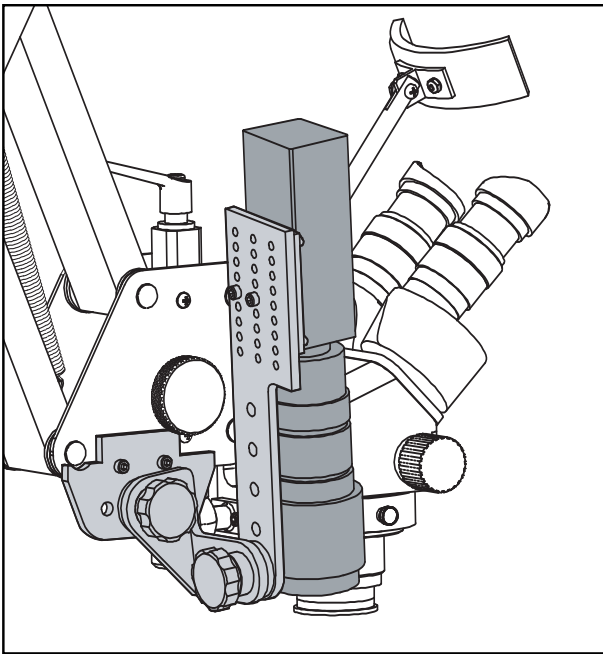
Remove the lower two bolts from the

front - left - side plate of the stand. Align the Adapter Block (see below - #13) to the holes you removed the bolts from and secure with the two #10-32 X 5/8" Cap Screws (#5). Remove the Adapter Plate (#6 - not needed for this stand) from the assembly by unscrewing the knob. Select one of the three threaded holes in the Adapter Block and reattach the assembly.

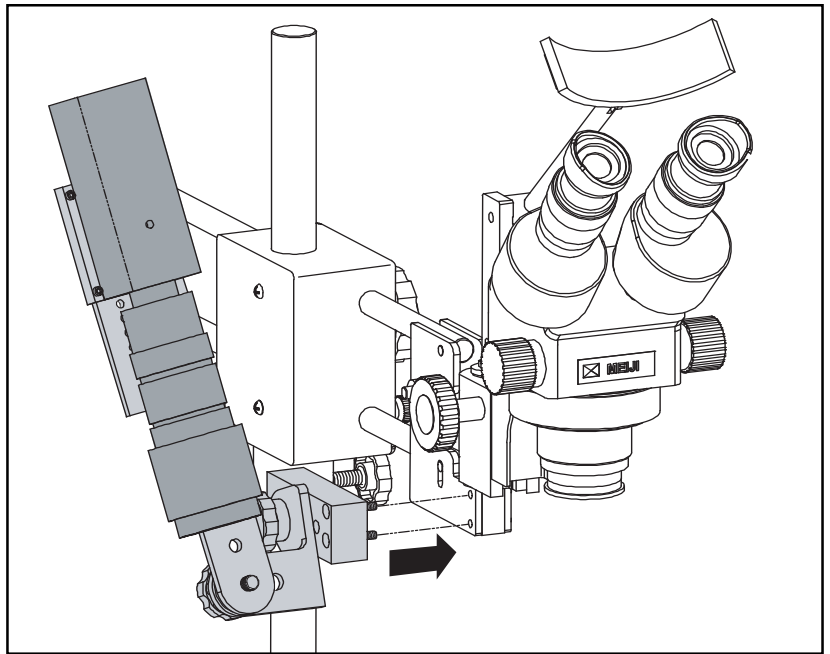
### 003-640 Camera Mount for GRS Microscope Stands

- 002-429 5/32" hex wrench (not shown)
- 1 003-259 Riser-Mounting Block for Camera
- 2 003-258 Mounting Plate for Camera Riser
- 3 004-089 Washer
- 4 003-257 90° Joint
- 5 002-288 #10-32 X 5/8" SHCS
- 6 003-256 Adapter Plate
- 7 003-260 Threaded Plate
- (#6 & #7 for attaching Camera Mount to a GRS Acrobat Microscope Stand #003-630)
- 8 002-763 6-32 X 1/4" SHCS
- 9 004-544 Knob Assembly
- 10 002-511 Spring Disc
- 11 022-193 Washer
- 12 002-510 Thrust Bearing
- 13 003-261 Adapter Block
- (#13 for attaching Camera Mount to a GRS Original Microscope Stand #003-564)





DETAIL VIEW OF CAMERA MOUNT ON GRS ACROBAT MICROSCOPE STAND.



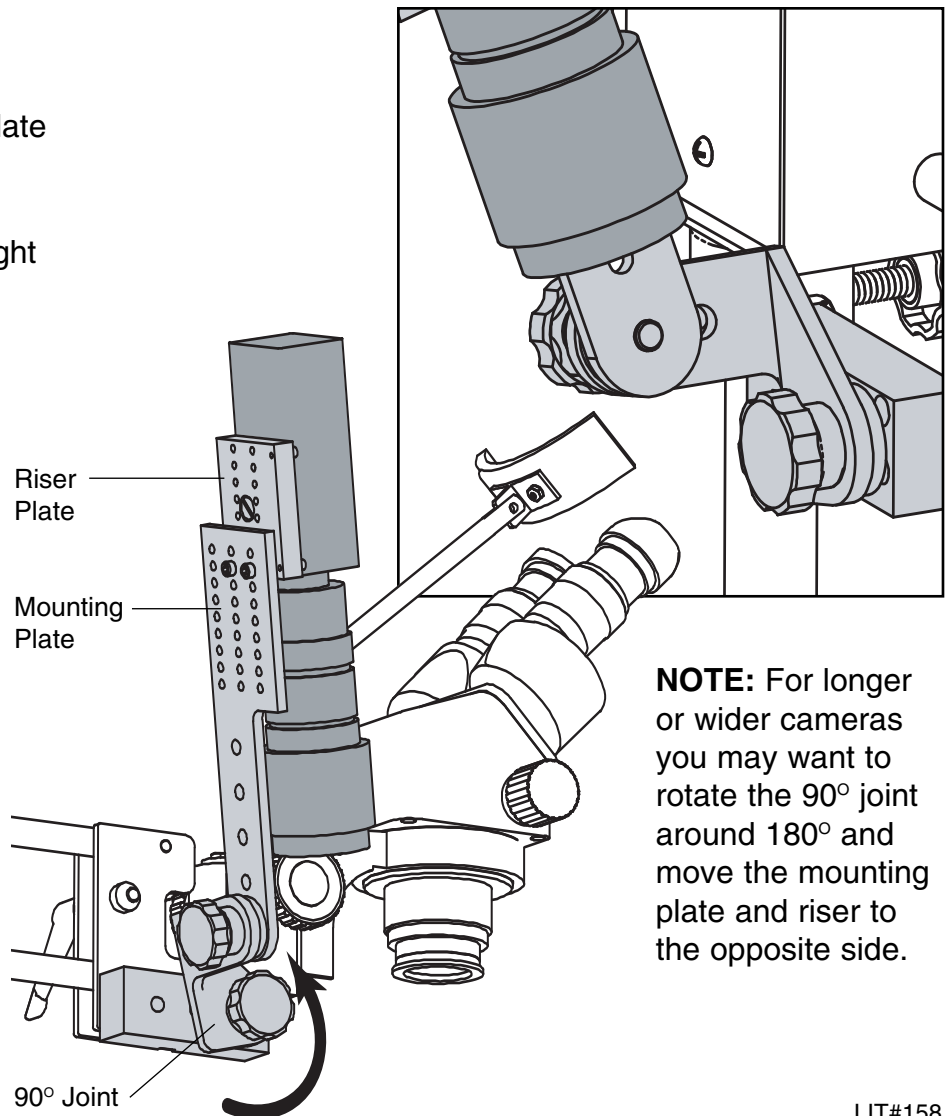
DETAIL VIEW OF CAMERA MOUNT PLACEMENT ON A GRS ORIGINAL MICROSCOPE STAND

## SET-UP SUGGESTION

The GRS Camera Mount is very versatile and adjusts to accommodate many different shapes and styles of camera.

We suggest that you set the height and focus of the microscope, first. Then adjust the Camera Mount so that the camera's lenses will be at about the same level as the microscope's lenses.

Note: The added extra weight of a camera on the end of the Acrobat microscope stand may require that you tighten the tension in the arms.



**NOTE:** For longer or wider cameras you may want to rotate the 90° joint around 180° and move the mounting plate and riser to the opposite side.

## GLENDO LLC

900 Overlander Road  
Emporia, KS 66801 USA

800-835-3519 • 620-343-1084  
Fax: 620-343-9640  
grs@grstools.com  
grs.com