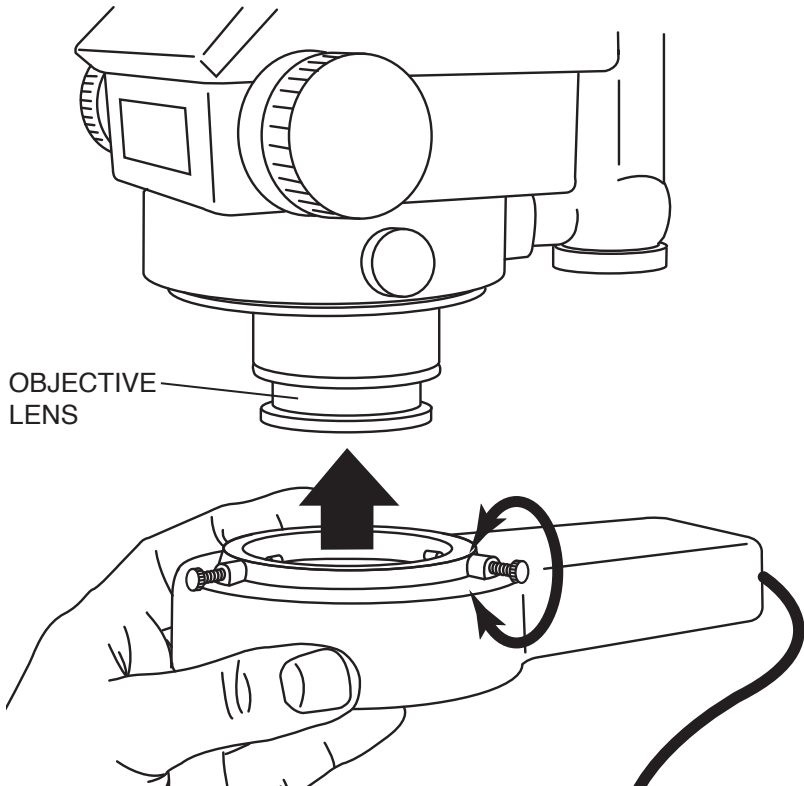




ATTACHING THE MICROSCOPE RING LIGHT

#022-268T • #022-268T-220

#024-290 • #024-290-220



First, turn the three thumb screws out as far as they will go. Position the light over the objective lens. Turn the thumb screws in - equally - until the light fixture is held securely. Do not overtighten. Plug the light in and turn it on with the switch on the back.



900 Overlander Road • Emporia, KS 66801
800-835-3519 • 620-343-1084 • Fax: 620-343-9640
grs@grstools.com • grs.com

Last Updated: 2020-03-26 / LIT-133