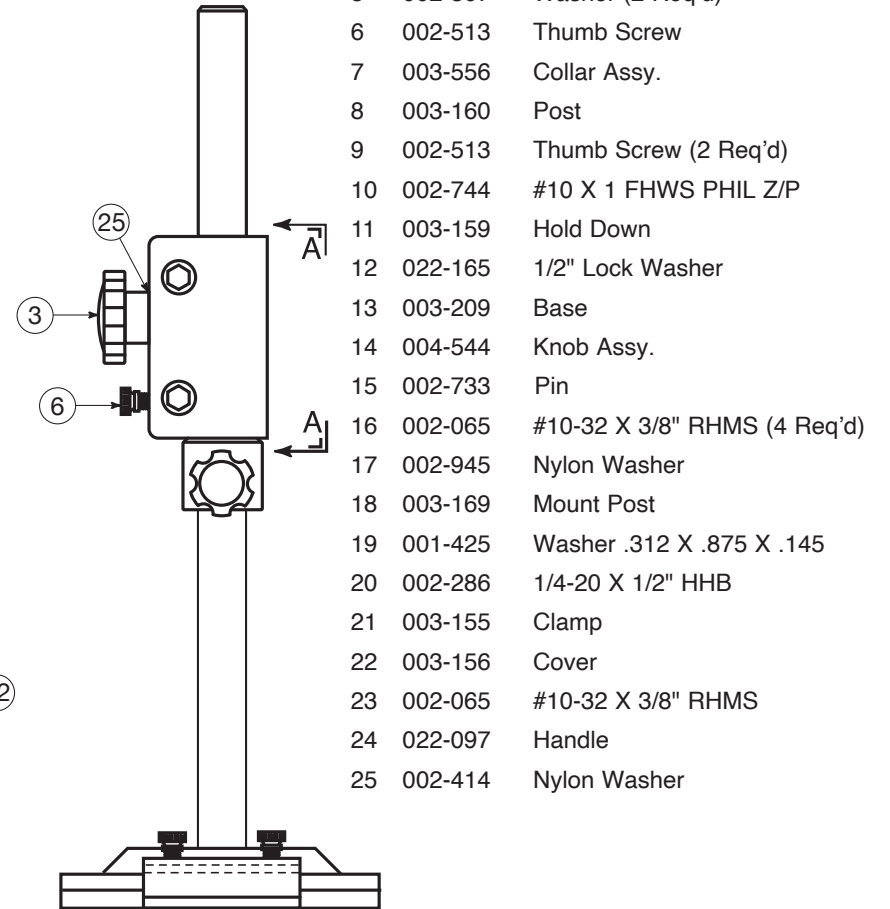
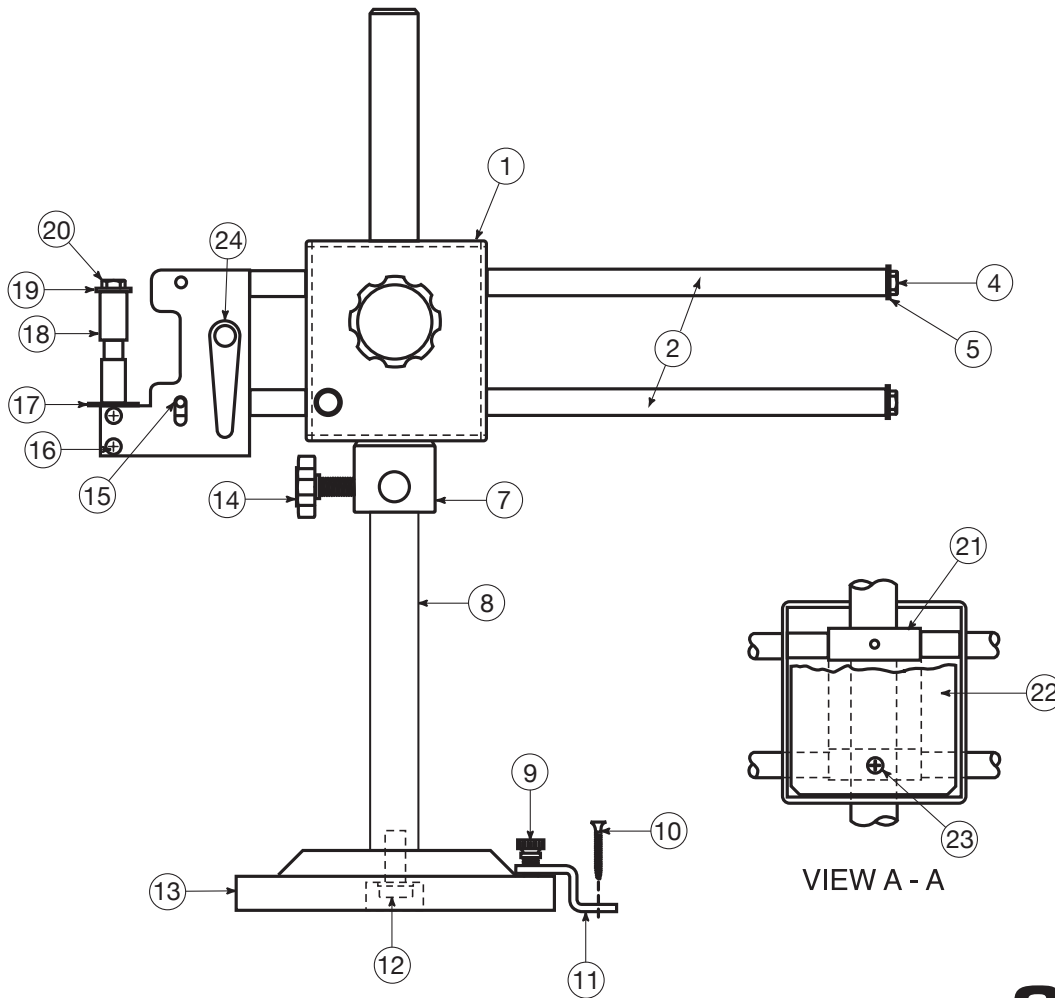


GRS[®] Original Microscope Stand

PARTS LIST • #003-564



- | | | |
|----|---------|------------------------------|
| 1 | 003-555 | Box Assy |
| 2 | 003-161 | Shaft (2 Req'd) |
| 3 | 003-552 | Adjustment Knob |
| 4 | 002-286 | 1/4-20 X 1/2 HHB (3 Req'd) |
| 5 | 002-307 | Washer (2 Req'd) |
| 6 | 002-513 | Thumb Screw |
| 7 | 003-556 | Collar Assy. |
| 8 | 003-160 | Post |
| 9 | 002-513 | Thumb Screw (2 Req'd) |
| 10 | 002-744 | #10 X 1 FHWS PHIL Z/P |
| 11 | 003-159 | Hold Down |
| 12 | 022-165 | 1/2" Lock Washer |
| 13 | 003-209 | Base |
| 14 | 004-544 | Knob Assy. |
| 15 | 002-733 | Pin |
| 16 | 002-065 | #10-32 X 3/8" RHMS (4 Req'd) |
| 17 | 002-945 | Nylon Washer |
| 18 | 003-169 | Mount Post |
| 19 | 001-425 | Washer .312 X .875 X .145 |
| 20 | 002-286 | 1/4-20 X 1/2" HHB |
| 21 | 003-155 | Clamp |
| 22 | 003-156 | Cover |
| 23 | 002-065 | #10-32 X 3/8" RHMS |
| 24 | 022-097 | Handle |
| 25 | 002-414 | Nylon Washer |

GLEND0 LLC

900 Overlander Road • Emporia, KS 66801 USA
 800-835-3519 • 620-343-1084 • Fax 620-343-9640
 grs@grstools.com • grs.com
 Last Updated: 2020-03-27