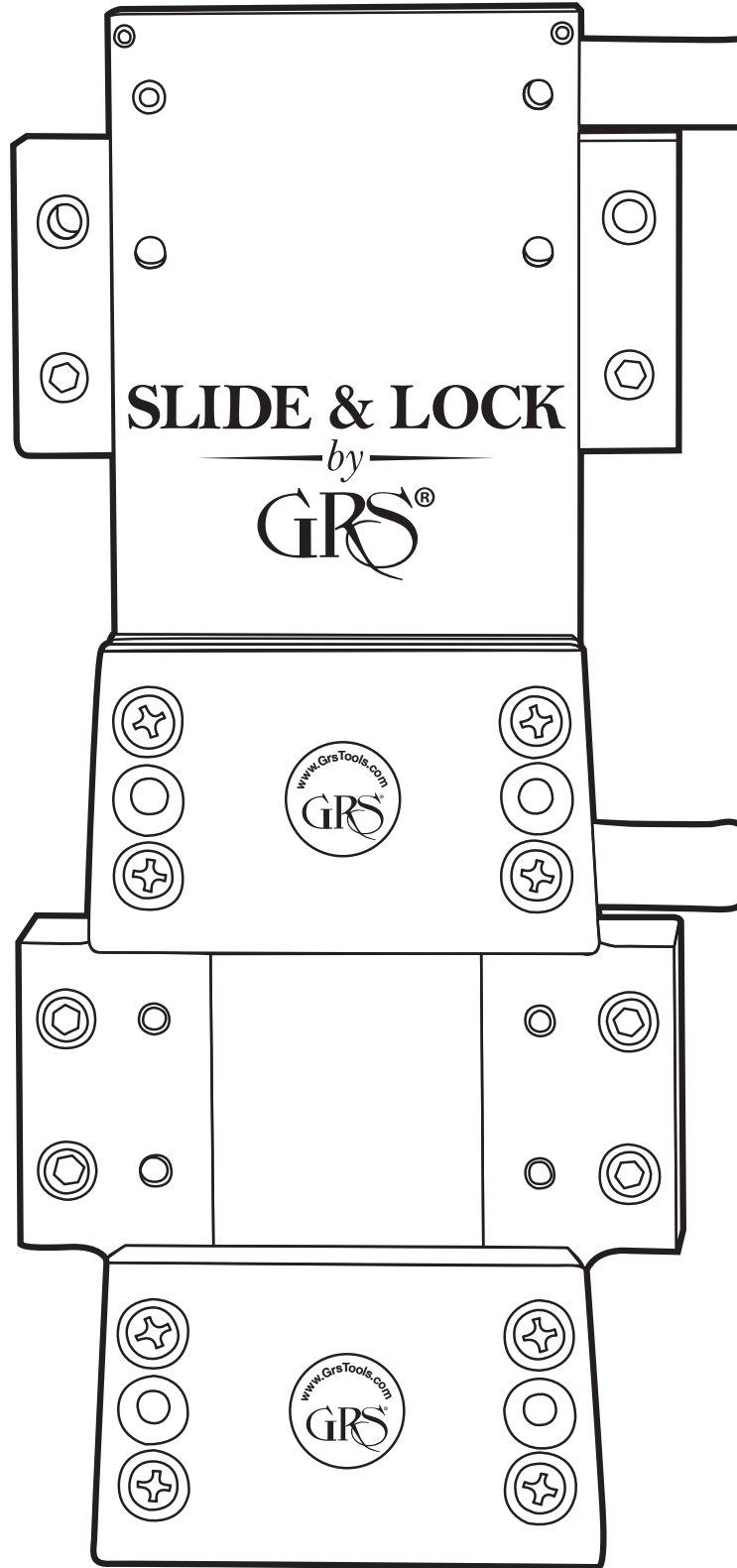


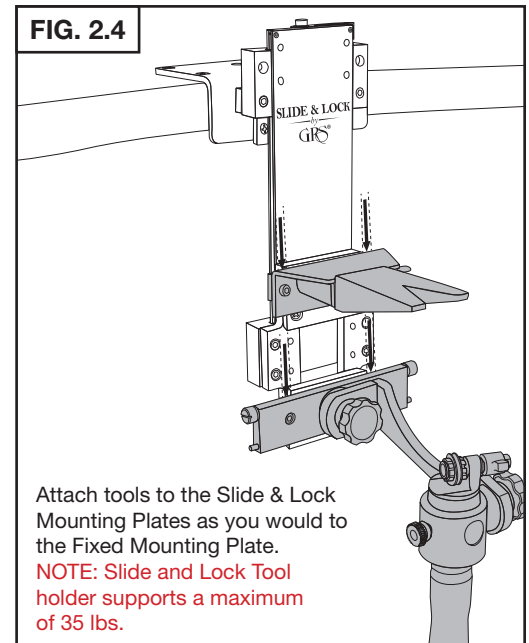
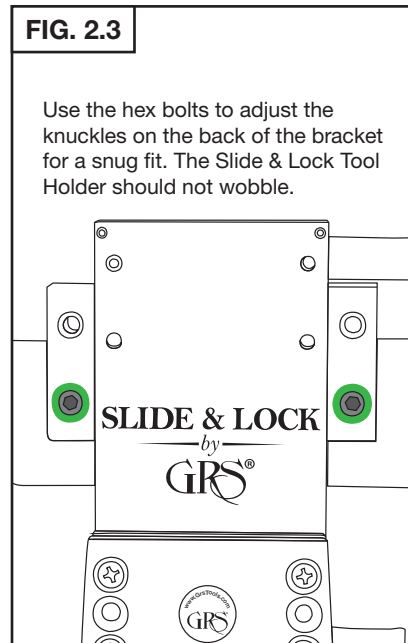
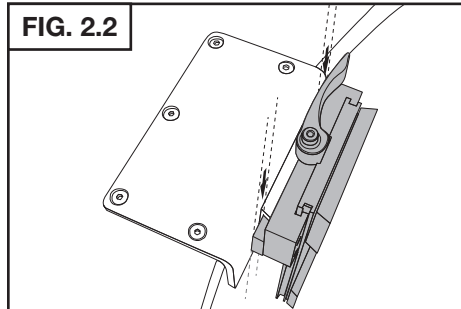
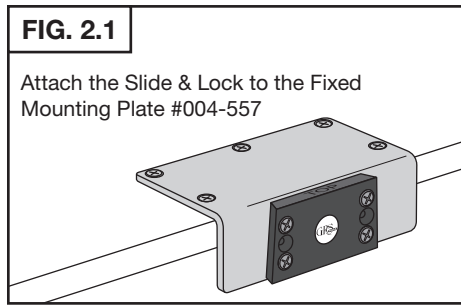


Slide & Lock Tru-Axis

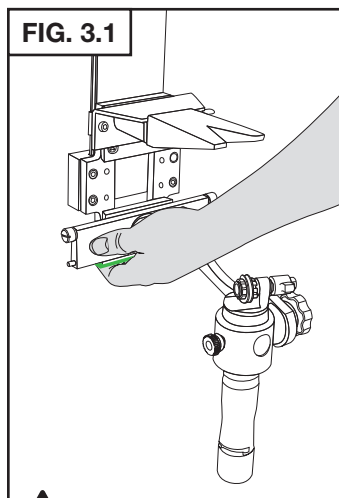
INSTRUCTIONS • #004-759



2. BENCH ATTACHMENT & TOOL ATTACHMENT

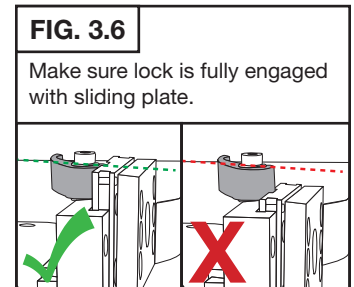
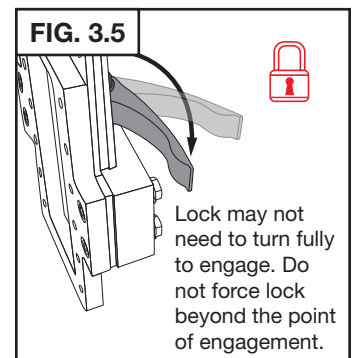
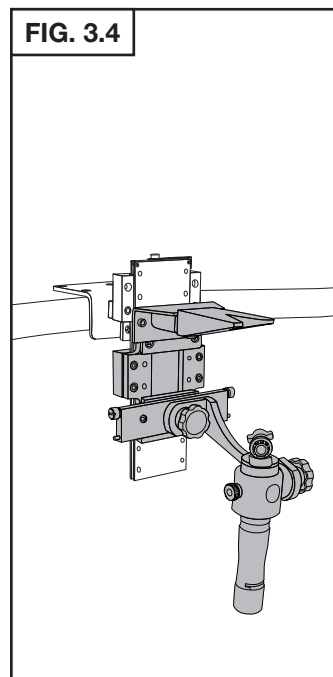
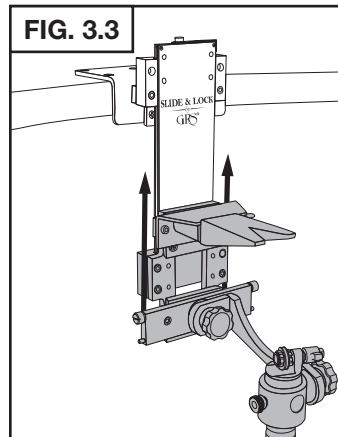
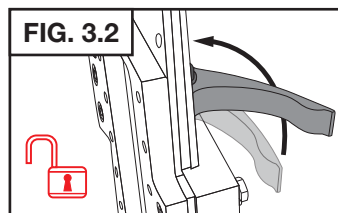


3. HEIGHT ADJUSTMENT

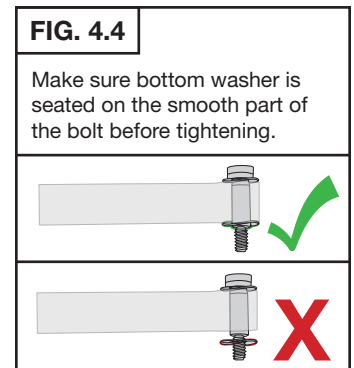
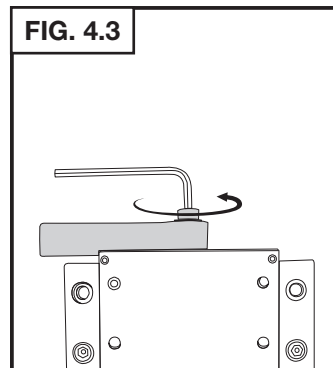
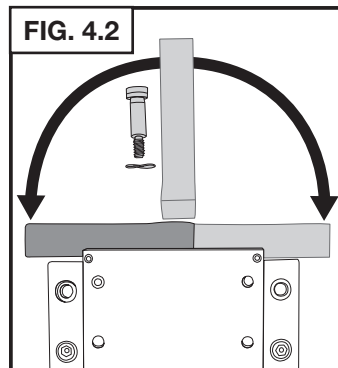
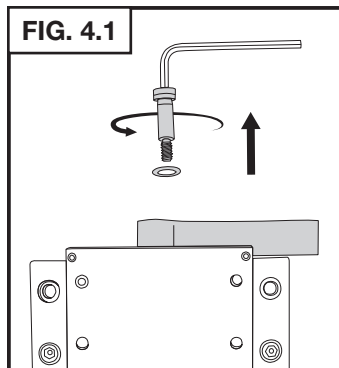


CAUTION

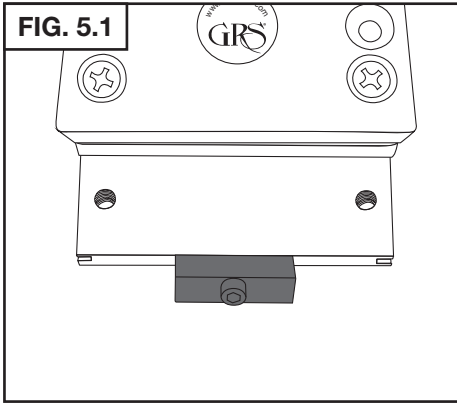
Place one hand to support the bottom of the Slide & Lock Tool and the weight of all attached tools before unlocking for height adjustment.



4. SWITCHING THE LOCK FOR LEFT-HANDED USE (OPTIONAL)



5. IMPORTANT SAFETY FEATURE THE SLIDE STOP



CAUTION

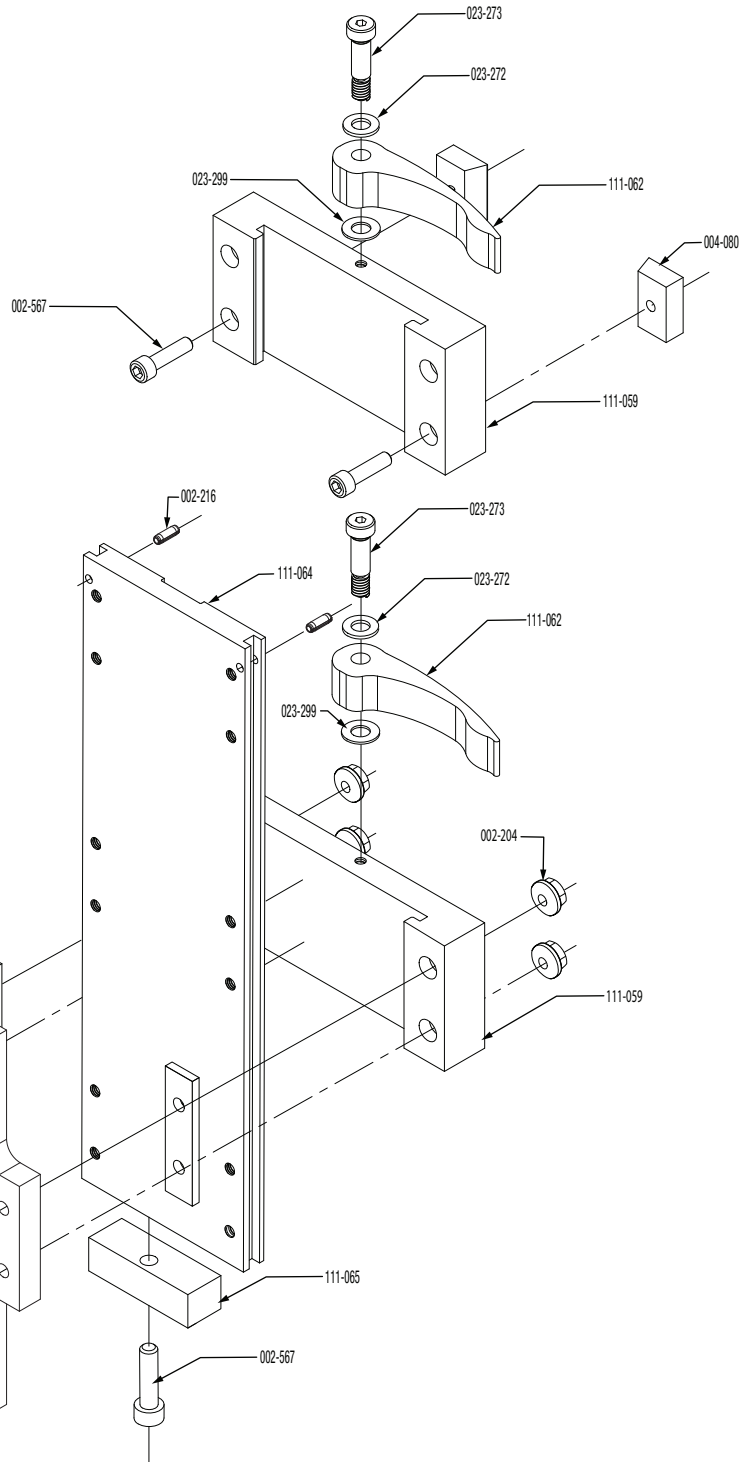
The stop is necessary to keep the Tru-Axis Slide from sliding off the bottom of the tool holder when unlocked. Check the bolt periodically to make sure the stop is securely fastened.

GRS[®] Slide & Lock Tru-Axis

PARTS LIST • #004-759

| PART # | DESCRIPTION | QTY. |
|---------|----------------------------------|------|
| 002-204 | 10-32 ZIP NUT, Zinc | 4 |
| 002-216 | .125 x .375 LONG PIN | 2 |
| 002-429 | 5/32" ALLEN WRENCH* | 2 |
| 002-567 | 10-32 x .75" SHCS BLK | 3 |
| 003-140 | GRS NAMEPLATE, .75 DIAMETER | 2 |
| 004-080 | BEVEL NUT | 2 |
| 004-087 | MOUNTING PLATE | 2 |
| 022-053 | 1/8" ALLEN WRENCH* | 2 |
| 023-271 | 10-32 x 1.25" SHCS BO | 4 |
| 023-272 | M6 WAVE WASHER | 2 |
| 023-273 | 1/4 x 5/8 STRIP SHOULDER CAP | 2 |
| 023-299 | WASHER, NYLON, .257 x .50 x .032 | 2 |
| 023-312 | 10-32 x .62" FHS ZINC | 8 |
| 111-059 | SLIDE BLOCK | 2 |
| 111-061 | ADAPTER BLOCK | 1 |
| 111-062 | CAM LEVER | 2 |
| 111-063 | SPACER | 2 |
| 111-064 | SLIDE | 1 |
| 111-065 | STOP BLOCK | 1 |

*NOT SHOWN



GLENDO LLC

900 Overlander Road • Emporia, KS 66801 USA
 800-835-3519 • 620-343-1084 • Fax: 620-343-9640
 hello@grs.com • www.grs.com
 Last Update: 2019-02-21