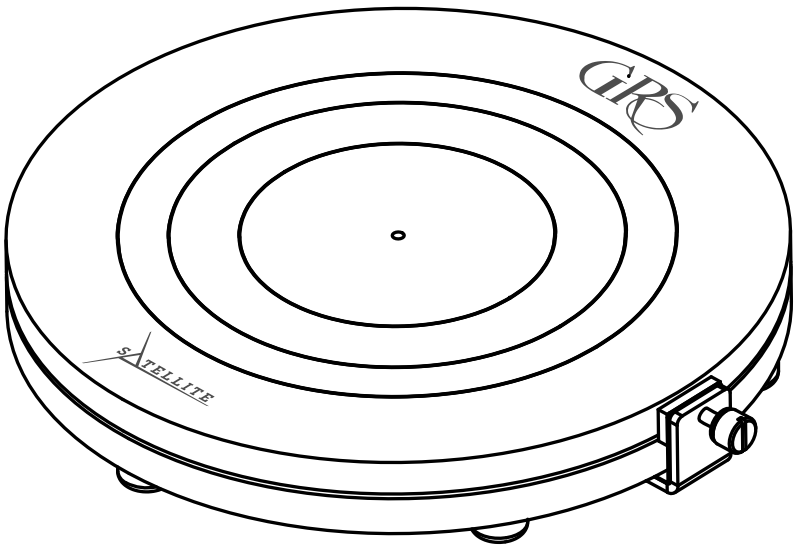
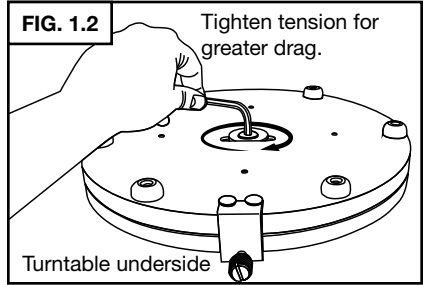
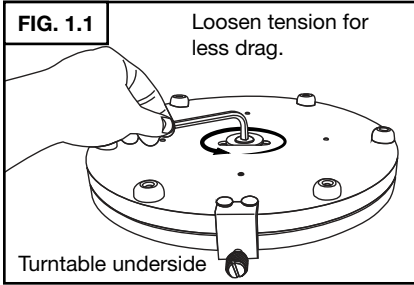


**GRS<sup>®</sup>**  
**SATELLITE<sup>®</sup>**

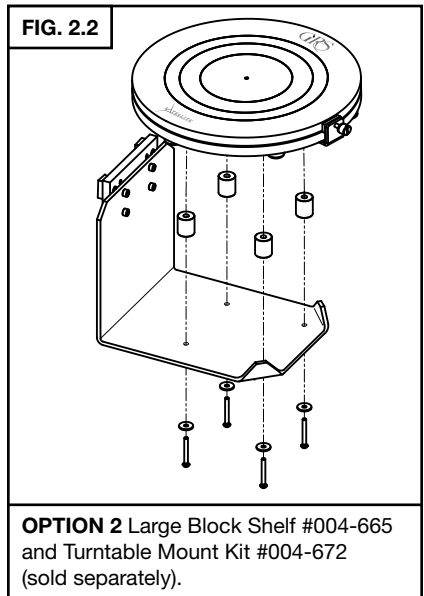
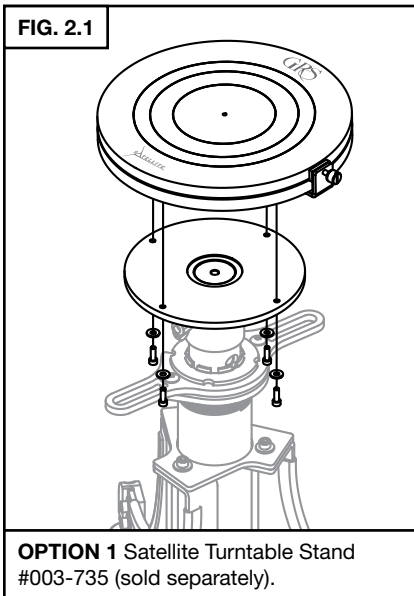


**Turntable**  
INSTRUCTIONS • #003-656

# 1. TURNTABLE TENSION ADJUSTMENT

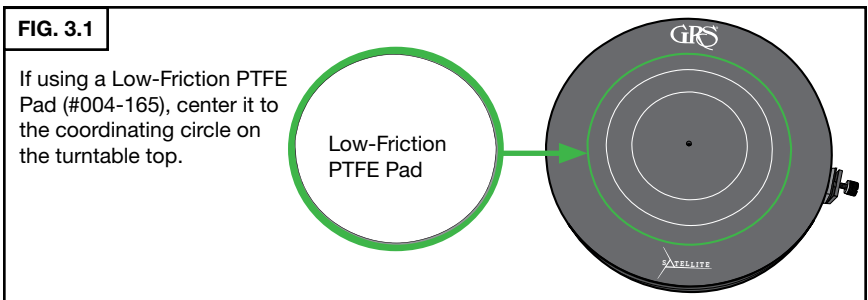


# 2. MOUNTING THE SATELLITE TURNTABLE



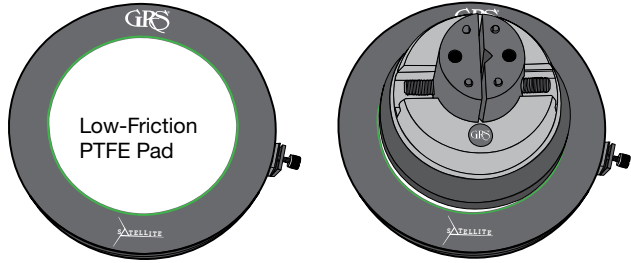
# 3. CENTERING

## CENTERING WITH THE LOW-FRICTION PTFE PAD



**FIG. 3.2**

Center your vise in the middle of the Low-Friction PTFE Pad.



## CENTERING WITHOUT THE LOW-FRICTION PTFE PAD

**FIG. 3.3**

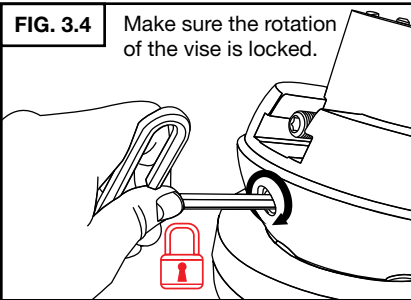
If NOT using the Low-Friction PTFE Pad, center your vise tire to the coordinating circle on the turntable top.



## USAGE

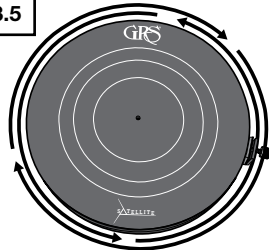
**FIG. 3.4**

Make sure the rotation of the vise is locked.



**FIG. 3.5**

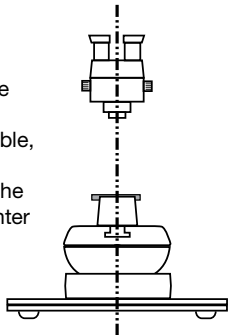
Use the turntable for rotation.



## CENTERING THE MICROSCOPE

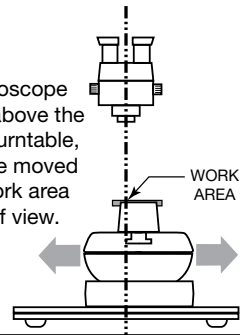
**FIG. 3.6**

Look through the microscope and rotate the turntable, positioning the microscope so the vise is in the center of view.



**FIG. 3.7**

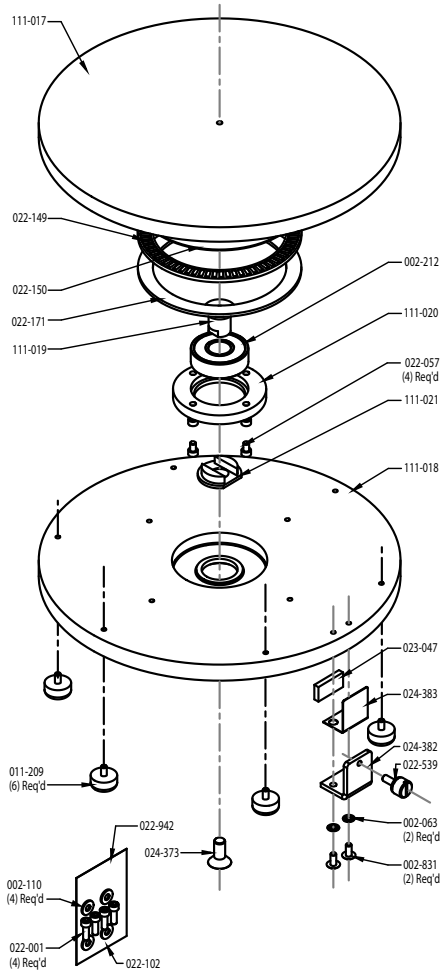
Once the microscope is positioned above the center of the turntable, the vise can be moved to keep the work area in the center of view.



# GRS<sup>®</sup> Satellite<sup>®</sup> Turntable

## PARTS LIST • #003-656

PART NO.	DESCRIPTION	QTY.
002-063	#8 Lockwasher	2
002-110	#8 Flat washer	4
002-212	Radial Bearing	1
002-831	Screw 8-32 x 3/8	2
011-209	Foot Assembly	6
022-001	8-32 x 1/2" RHMS	4
022-057	8-32 x 5/16" SHCS	4
022-102	9/64 Short Arm Allen Wrench	1
022-149	Thrust Bearing	1
022-150	Thin Bearing Washer	1
022-171	Thick Bearing Washer	1
022-539	Thumbscrew #10-32	1
022-942	Bag, 2 x 3 x 4 mil	1
023-047	Brake Pad, Leather	1
024-373	5/16-24 UNF x 3/4" FHCS w/ Nylon tab	1
024-382	Brake Bracket	1
024-383	SS Spring	1
111-017	Top Plate	1
111-018	Bottom Plate	1
111-019	Axle Tie	1
111-020	Bearing Retainer	1
111-021	Bottom Flange	1



# GLENDO LLC

900 Overlander Road • Emporia, KS 66801 USA  
 800-835-3519 • 620-343-1084 • Fax: 620-343-9640  
[grs@grstools.com](mailto:grs@grstools.com) • [www.grstools.com](http://www.grstools.com)  
 Last Update: 2021-04-05