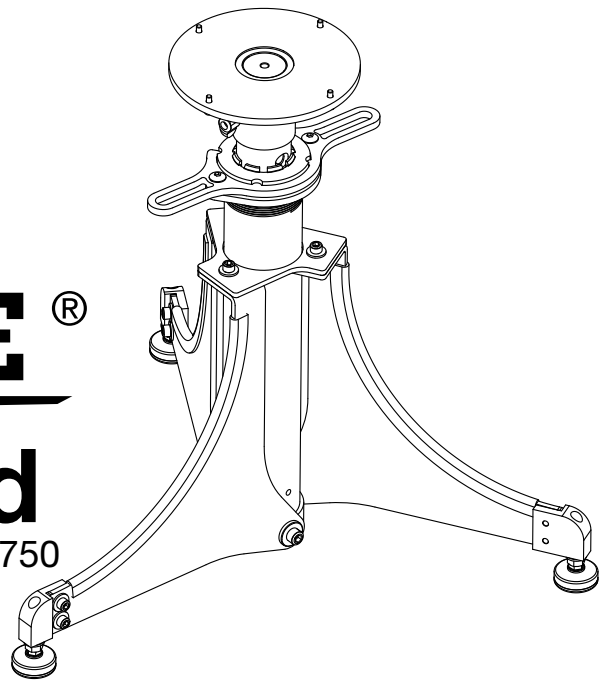




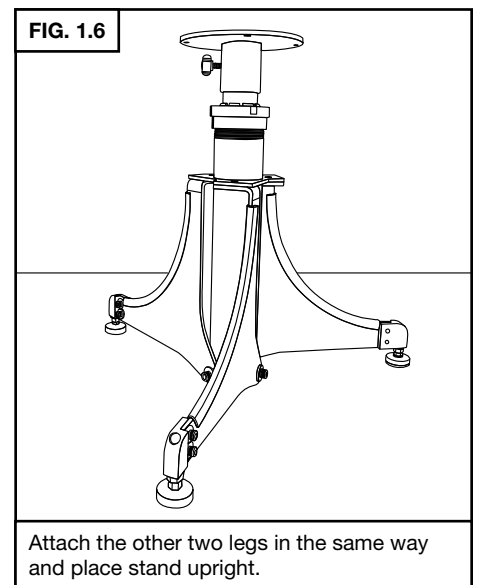
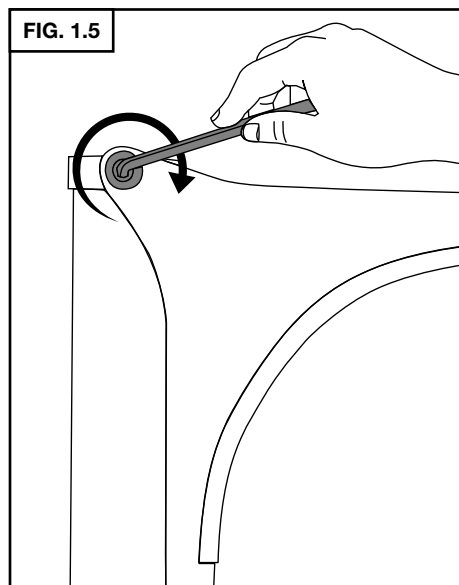
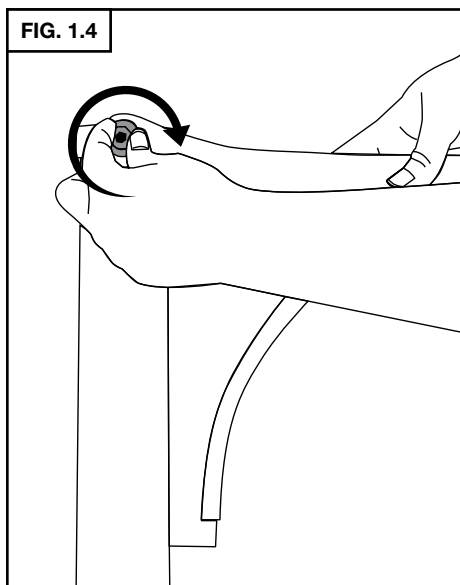
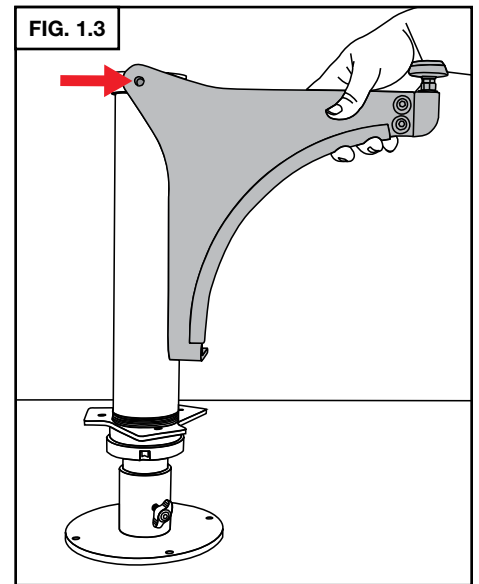
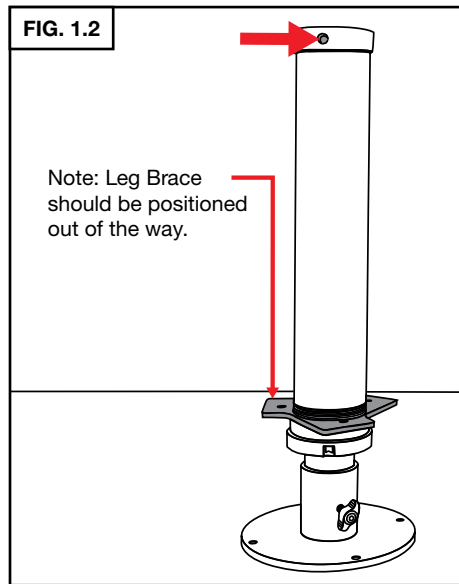
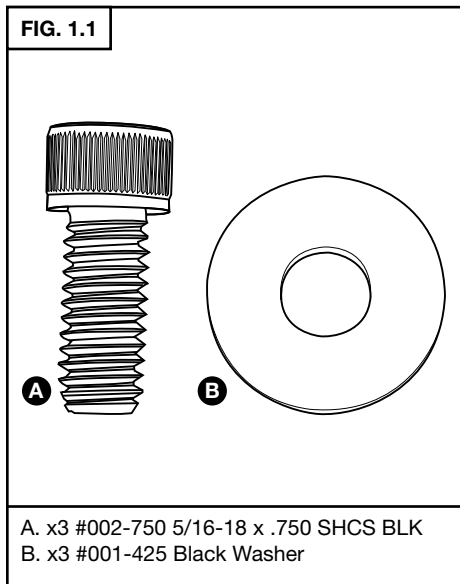
# STELLITE®

## Turntable Stand

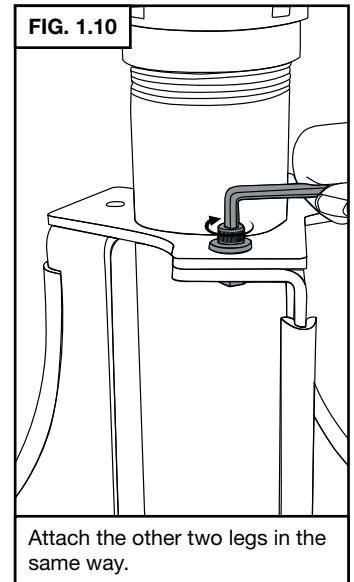
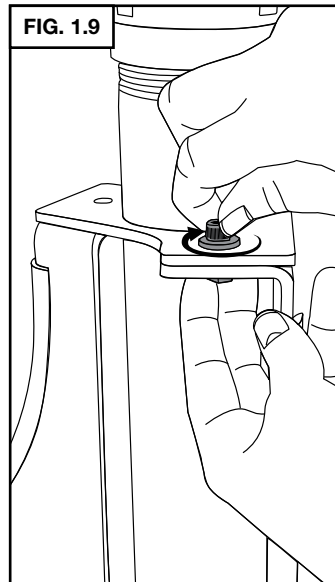
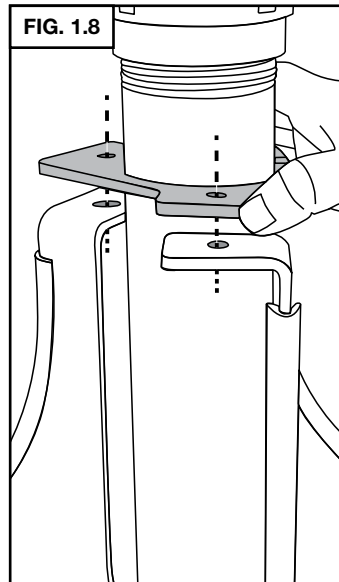
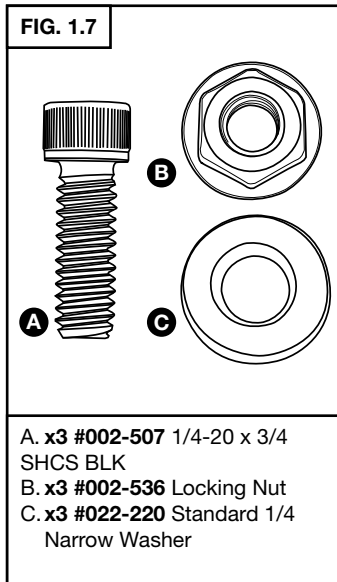
INSTRUCTIONS • #003-735, 003-740, 003-750



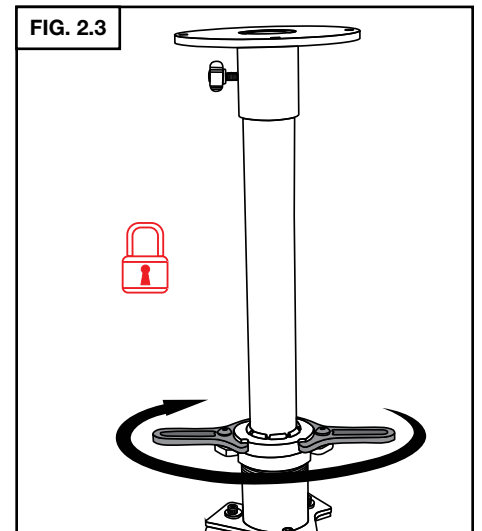
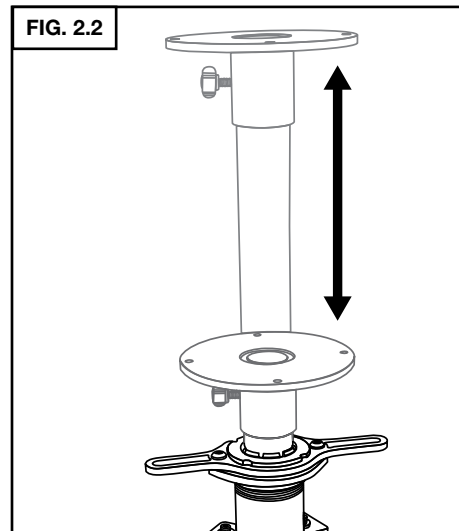
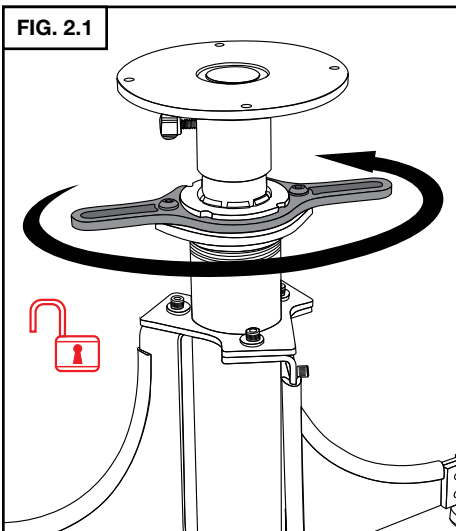
### 1. LEG INSTALLATION



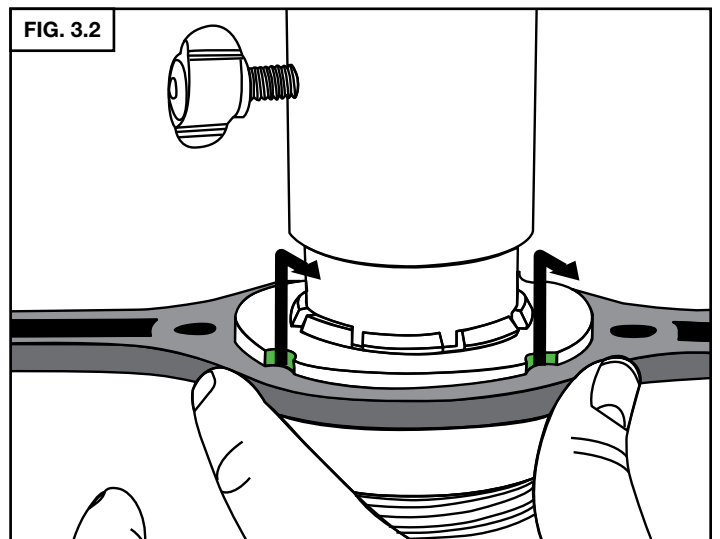
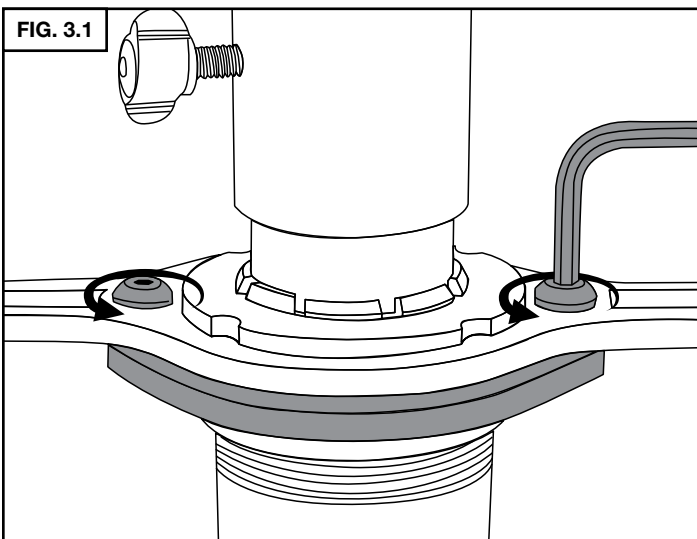
## 1. LEG INSTALLATION (CONTINUED)



## 2. HEIGHT ADJUSTMENT



## 3. TO MAKE COLLET WRENCH REMOVABLE (OPTIONAL)



## 4. STAND PLATE ROTATION

FIG. 4.1

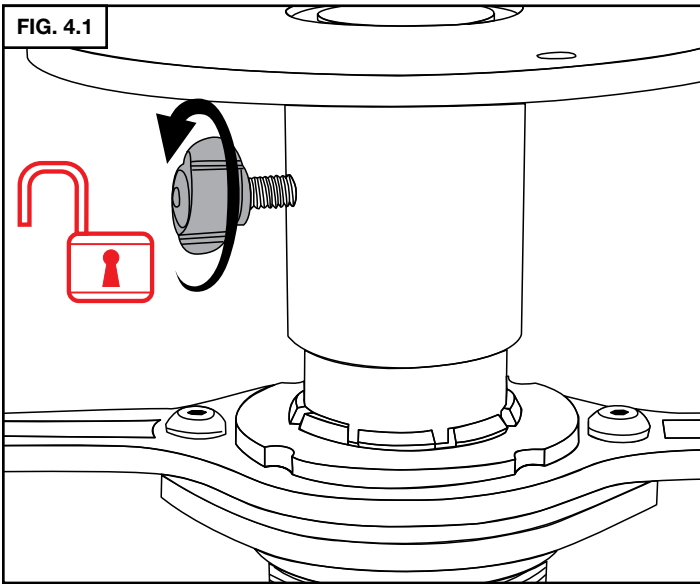


FIG. 4.2

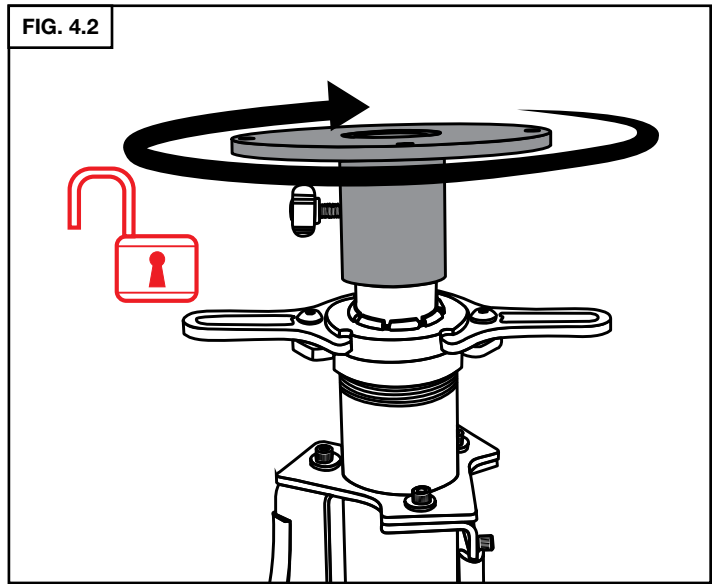


FIG. 4.3

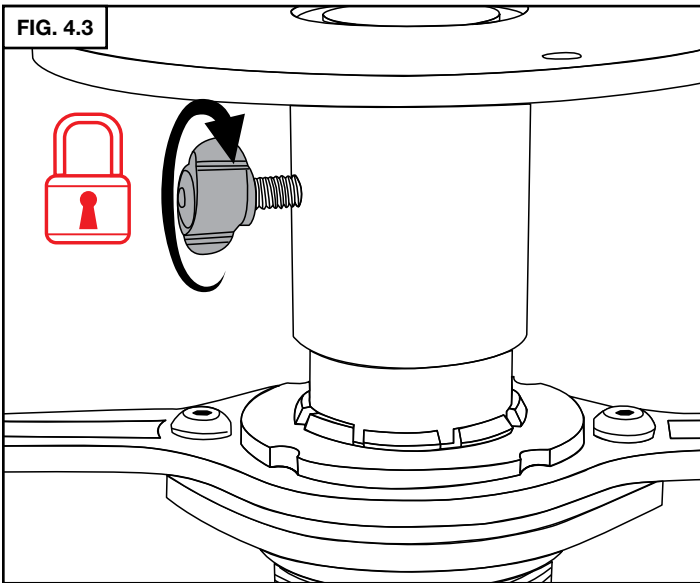
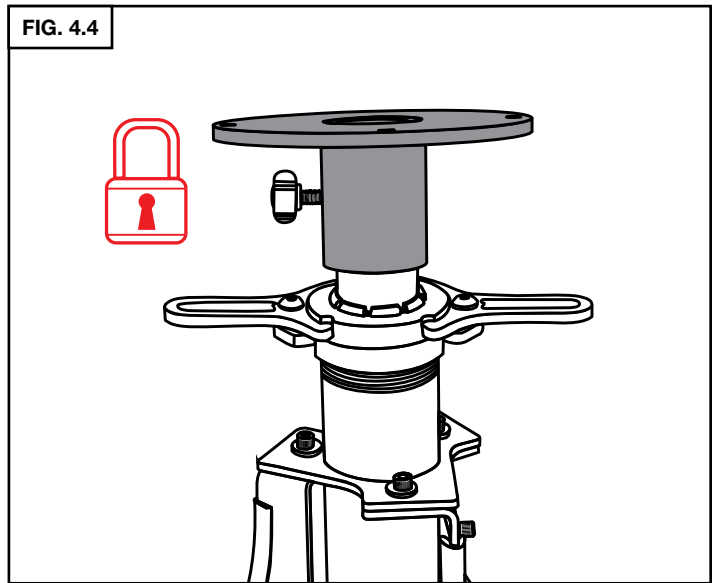


FIG. 4.4



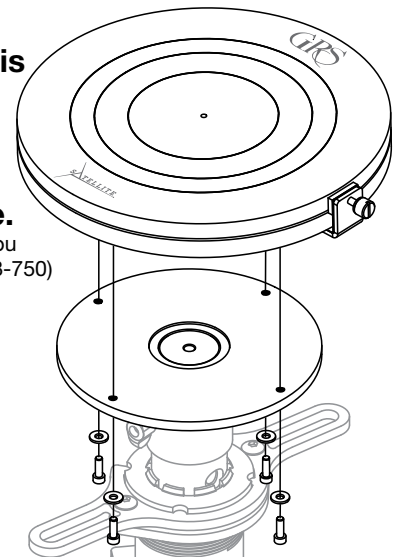
**The Satellite Turntable Stand is compatible with both GRS turntables and the fixed surface.**

(Sold separately, unless you purchased 003-740 or 003-750)

**Satellite Turntable**  
#003-656

**Satellite Fixed Surface**  
#003-750

**Turntable Classic**  
#003-616-V2





# Satellite® Turntable Stand

PARTS LIST • #003-735

PART NO.	DESCRIPTION	QTY.
001-425	WASHER, .312 X .875 X .145 BLK	3
002-107	1/4-20 X 1/2 SHCS BLK	6
002-110	WASHER, #8 FLAT Z/P	4
002-214	ZINC PLATED WASHER	2
002-283	NUT, 5/16-18 HEX Z/P	3
002-507	1/4-20 X 3/4 SHCS BLK	3
002-536	NUT, 1/4-20 FLNG LOCK Z/P	3
002-742	WRENCH, 3/16 HEX	1
002-750	5/16-18 X .750 SHCS BLK	3
002-751	WRENCH, 1/4 SHORT ARM ALLEN	1
003-410	COLLET NUT WRENCH FOR EXTENSION QUILL	1
003-411	COLLET NUT FOR TRAPPED DELRIN COLLET	1
003-412	EXTENSION QUILL CLAMPING COLLET	1
003-413	LASER CUT BLANK FOR DRILLED AND TAPPED RETAINER	1
003-416	GUIDE BUSHING SUPPORTING INNER SHAFT	1
003-417	LIFT SPRING END	2
003-418	LEG BRACE TO FIX LEGS TO BASE TUBE	1
003-419	MAIN SUPPORT TUBE STAND ALONE SUPPORT	1
003-420	PAINTED LEG FOR STAND ALONE TURNTABLE STAND	3
003-421	PUSH ON PLASTIC EDGE TRIM	3
003-422	LEVELING FOOT MOUNT FOR STAND LEGS	3
003-423	BOTTOM TUBE PLUG TO SUPPORT COUNTER BALANCE LIFT	1
003-731	PLATE WELDMENT	1
003-732	UNFIXED LIFT TUBE WELDMENT	1
003-741	1.435" FLAT WASHER	1
022-001	SHCS, #8-32 X .50" BLK	4
022-102	9/64 SHORT ARM HEX WRENCH	1
022-220	STD 1/4 NARROW WASHER	9
022-221	STD 5/16 NARROW WASHER	3
024-171	1/4-20 X 1/4" HALF DOG SOCKET HEAD SET SCREW	1
024-312	1/4-20 WING SCREW X .75 THREAD LENGTH	1
024-378	5/16-18 BUTTON HEAD CAP SCREW X .625	2
024-379	GAS SPRING TO COUNTER BALANCE TABLEWEIGHT	1
024-380	LEVELING FOOT	3

