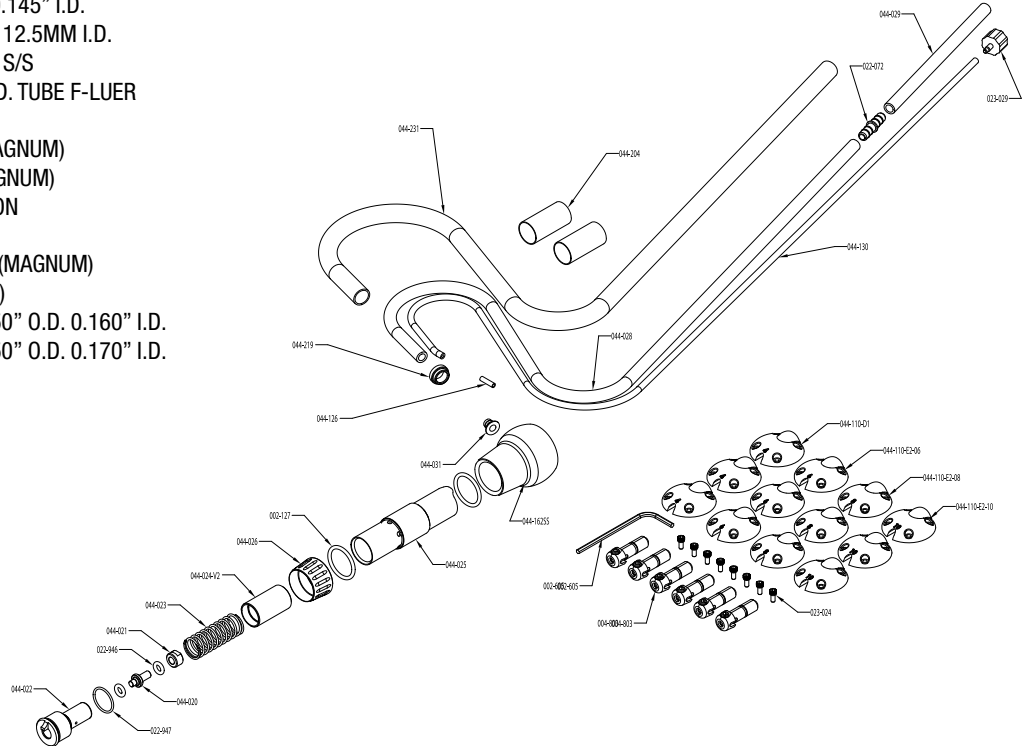


#004-940-ATSS MAGNUM AIRTACT HANDPIECE

PART NO.	QTY.	DESCRIPTION
002-127	2	O-RING, 0.750" O.D. 0.610" I.D.
002-605	1	WRENCH, 5/64 ALLEN
004-803	6	QC HOLDER
022-072	1	TUBE COUPLING, 0.170" I.D.
022-946	2	ORING, 0.285" O.D. 0.145" I.D.
022-947	1	ORING, 14.5MM O.D. 12.5MM I.D.
023-024	8	SHCS, #2-56 x 0.19" S/S
023-029	1	FITTING, M-0.063" I.D. TUBE F-LUER
044-020	1	ANVIL (MAGNUM)
044-021	1	TO RETAIN ANVIL (MAGNUM)
044-022	1	TOOL RECEIVER (MAGNUM)
044-023	1	SPRING COMPRESSION
044-024-V2	1	PISTON, MAGNUM
044-025	1	HANDPIECE BARREL (MAGNUM)
044-026	1	LOCK NUT (MAGNUM)
044-028	1	TUBING, PU CLR 0.250" O.D. 0.160" I.D.
044-029	1	TUBING, PU CLR 0.250" O.D. 0.170" I.D.
044-031	1	HOSE RETAINER
044-110-E2-04	3	PALM PAD, E2 #04
044-110-E2-06	3	PALM PAD, E2 #06
044-110-E2-08	3	PALM PAD, E2 #08
044-110-E2-10	3	PALM PAD, E2 #10

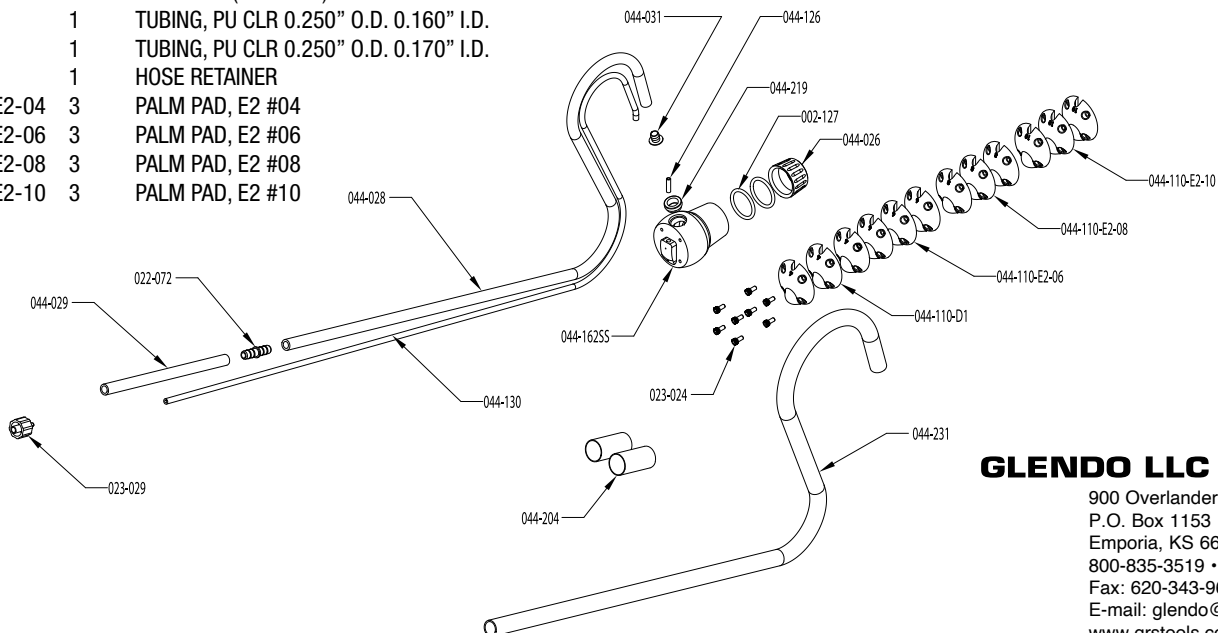
044-126	1	FITTING, 0.094" O.D. 0.063" I.D. x 0.35"
044-130	1	TUBING, PU CLR 0.125" O.D. 0.063" I.D.
044-162SS	1	PALM KNOB (MAGNUM)
044-204	2	0.500 DIA BLACK SHRINK TUBING
044-219	1	INLET INSERT FOR MAGNUM AT KNOBS
044-231	1	BRAIDED SLEEVE, 0.375" O.D. NYLON



#004-957SS MAGNUM AIRTACT PALM KNOB KIT

PART NO.	QTY.	DESCRIPTION
002-127	2	O-RING, 0.750" O.D. 0.610" I.D.
022-072	1	TUBE COUPLING, 0.170" I.D.
023-024	8	SHCS, #2-56 x 0.19" S/S
023-029	1	FITTING, M-0.063" I.D. TUBE F-LUER
044-026	1	LOCK NUT (MAGNUM)
044-028	1	TUBING, PU CLR 0.250" O.D. 0.160" I.D.
044-029	1	TUBING, PU CLR 0.250" O.D. 0.170" I.D.
044-031	1	HOSE RETAINER
044-110-E2-04	3	PALM PAD, E2 #04
044-110-E2-06	3	PALM PAD, E2 #06
044-110-E2-08	3	PALM PAD, E2 #08
044-110-E2-10	3	PALM PAD, E2 #10

044-126	1	FITTING, 0.094" O.D. 0.063" I.D. x 0.35"
044-130	1	TUBING, PU CLR 0.125" O.D. 0.063" I.D.
044-162SS	1	PALM KNOB (MAGNUM)
044-204	2	0.500 DIA BLACK SHRINK TUBING
044-219	1	INLET INSERT FOR MAGNUM AT KNOBS
044-231	1	BRAIDED SLEEVE, 0.375" O.D. NYLON



GLENDO LLC

900 Overlander Road
P.O. Box 1153
Emporia, KS 66801 USA
800-835-3519 • 620-343-1084
Fax: 620-343-9640
E-mail: glendo@glendo.com
www.grstools.com