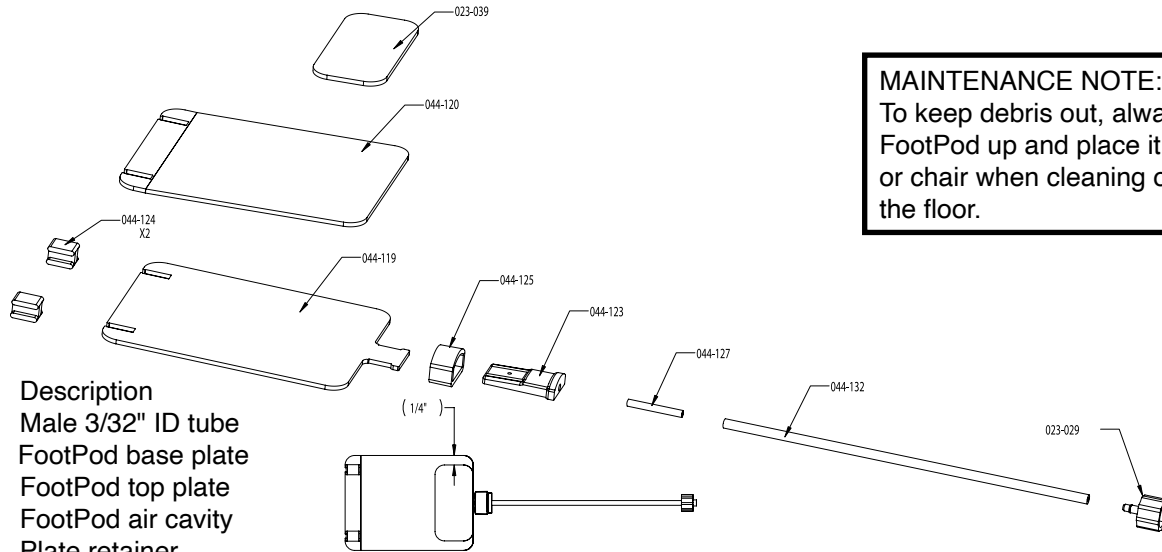




Airtact® FootPod Touch Element

PARTS LIST

#004-956



MAINTENANCE NOTE:
To keep debris out, always pick the FootPod up and place it on a bench or chair when cleaning or sweeping the floor.

Part No.	Description
023-029	Male 3/32" ID tube
044-119	FootPod base plate
044-120	FootPod top plate
044-123	FootPod air cavity
044-124	Plate retainer
044-125	Retaining band
044-127	Hose connection 0.094" x 0.063" x 0.750"
044-132	FootPod control hose, 3/32" ID x 72" long
023-039	1" x 2" x 1/16" neoprene pad

900 Overlander Road • Emporia, KS 66801 USA
800-835-3519 • 620-343-1084 • Fax: 620-343-1084
grs@grstools.com • www.grstools.com
Last Updated: 04/06/2021