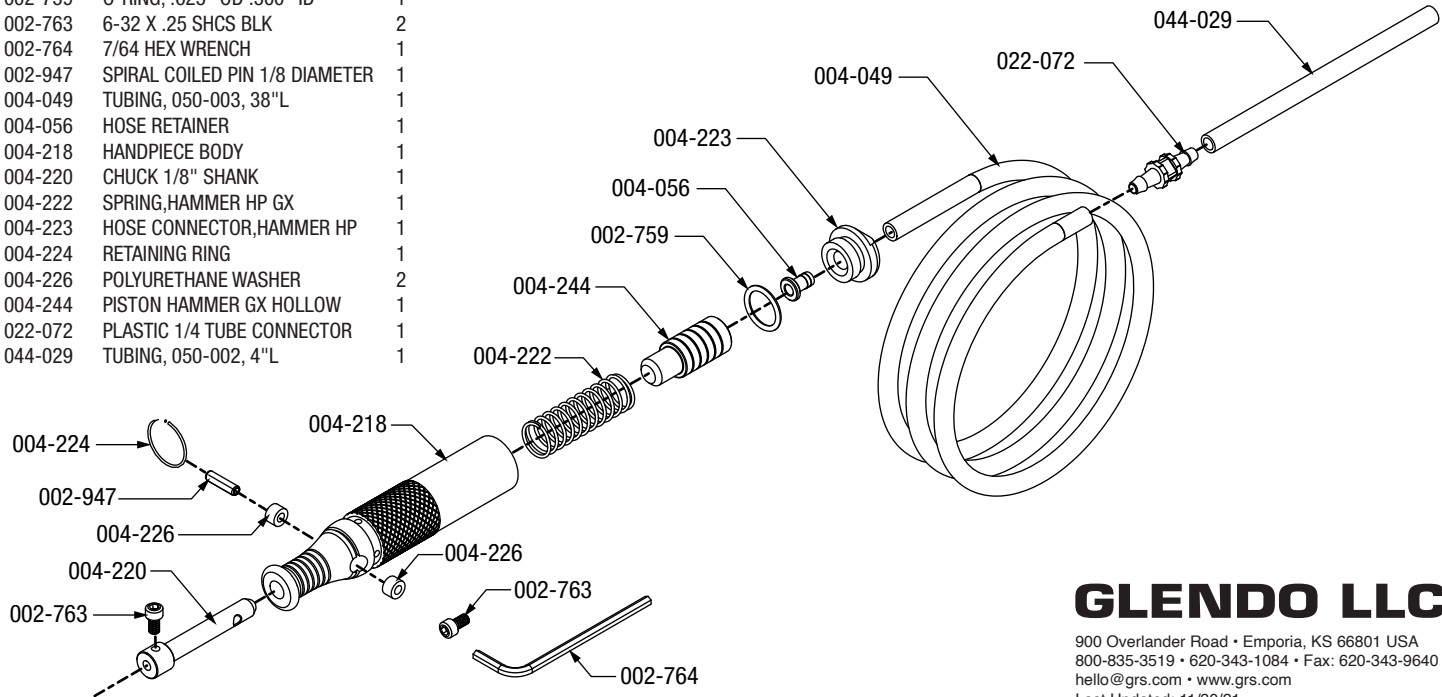


GRS[®] 610 Hammer Handpiece

PARTS LIST • #004-610

PART #	DESCRIPTION	QTY
002-759	O-RING, .625" OD .500" ID	1
002-763	6-32 X .25 SHCS BLK	2
002-764	7/64 HEX WRENCH	1
002-947	SPIRAL COILED PIN 1/8" DIAMETER	1
004-049	TUBING, 050-003, 38"L	1
004-056	HOSE RETAINER	1
004-218	HANDPIECE BODY	1
004-220	CHUCK 1/8" SHANK	1
004-222	SPRING, HAMMER HP GX	1
004-223	HOSE CONNECTOR, HAMMER HP	1
004-224	RETAINING RING	1
004-226	POLYURETHANE WASHER	2
004-244	PISTON HAMMER GX HOLLOW	1
022-072	PLASTIC 1/4" TUBE CONNECTOR	1
044-029	TUBING, 050-002, 4"L	1



GLENDO LLC

900 Overlander Road • Emporia, KS 66801 USA
 800-835-3519 • 620-343-1084 • Fax: 620-343-9640
 hello@grs.com • www.grs.com
 Last Updated: 11/30/21

LIT-148