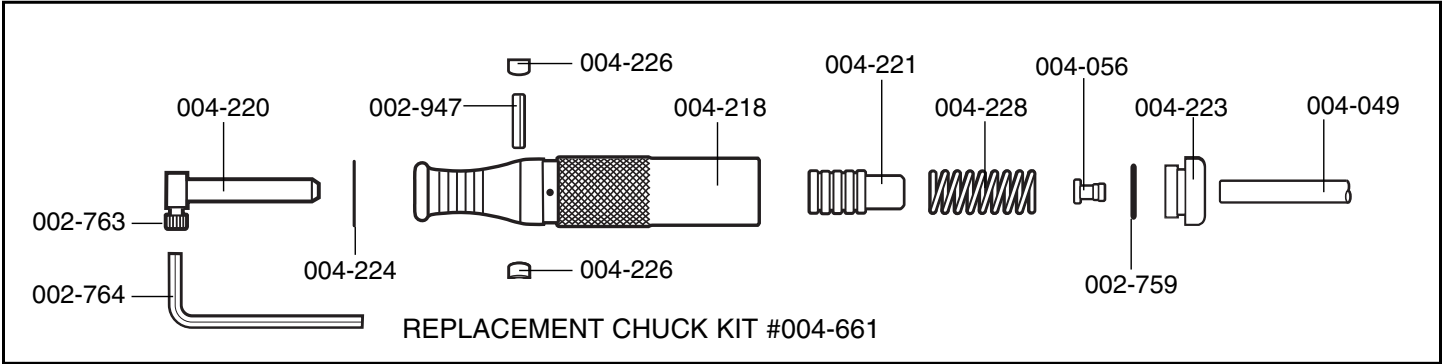


# #612 Hammer

Handpiece for the: **Gravermeister**



QTY.	PART NO.	DESCRIPTION
	002-763	#6-32 x 1/4" SHC
	002-764	Allen Wrench
	002-947	Spiral Pin
	002-759	O-Ring
	004-049	Air Hose - 1/4" dia. X 38"
	004-056	Hose Retainer
	004-218	Handpiece Body
	004-220	Chuck
	004-221	Piston / Hammer
	004-223	Hose Connector
	004-224	"O" Ring
	004-226	Polyurethane Washer
	004-228	Spring
	004-661	Replacement Chuck Kit

*Prices subject to change without notice.*

**Ship To:** Company \_\_\_\_\_  
 Name \_\_\_\_\_  
 Shipping Address \_\_\_\_\_  
 City \_\_\_\_\_ State \_\_\_\_\_ Zip \_\_\_\_\_  
 Phone: \_\_\_\_\_

**Shipping:** Freight and Handling costs will be charged to account or credit card. Sent US Mail or UPS ground unless otherwise requested. *Please send via:* \_\_\_\_\_

**METHOD OF PAYMENT:**

- Check or Money Order  
(for personal check allow 7 days to process)
- Charge my account (listed firms only)
- MasterCard       Visa
- American Exp.       Discover

Card No. \_\_\_\_\_

Exp. \_\_\_\_\_ / \_\_\_\_\_

\_\_\_\_\_  
 Your Signature

**MAIL ORDER TO:**



GRS Tools  
 Glendo Corporation  
 P.O. Box 1153  
 Emporia, KS 66801

**FAX ORDER TO:** 620-343-9640

**ORDER TOLL FREE:**

**1-800-835-3519**

Monday - Friday / 8am-5pm Central Time  
 PLEASE ASK FOR ORDER DESK

LIT-114

REV. JANUARY 2002