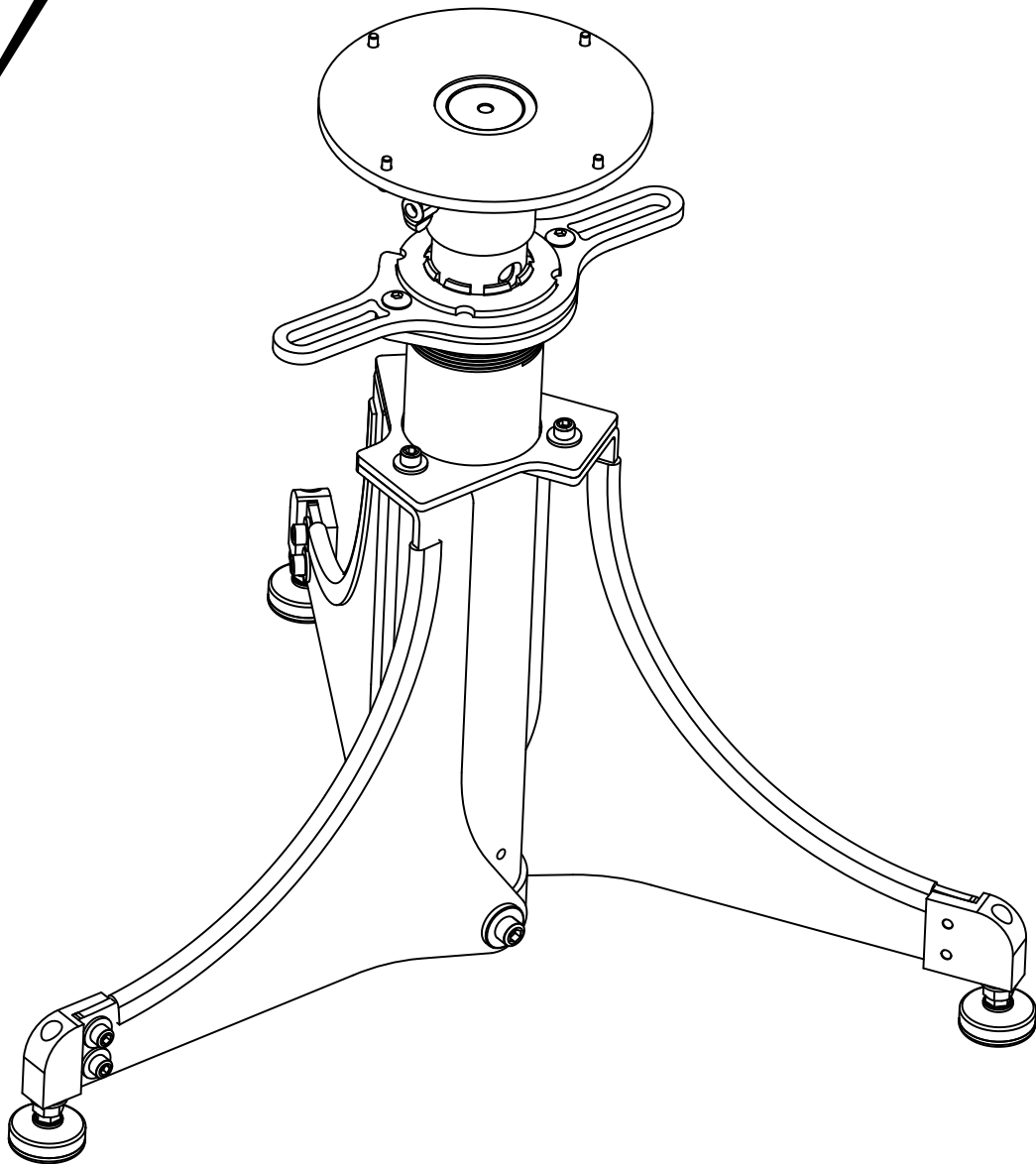


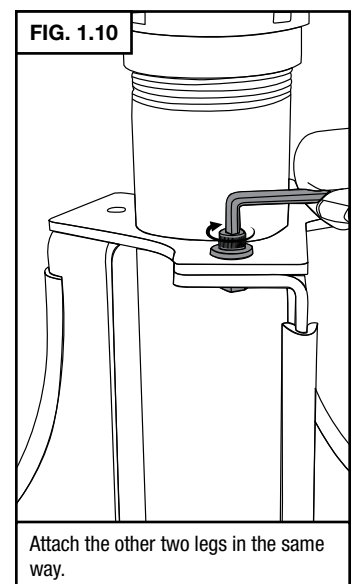
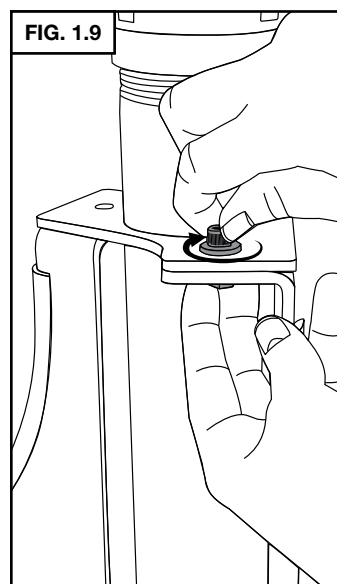
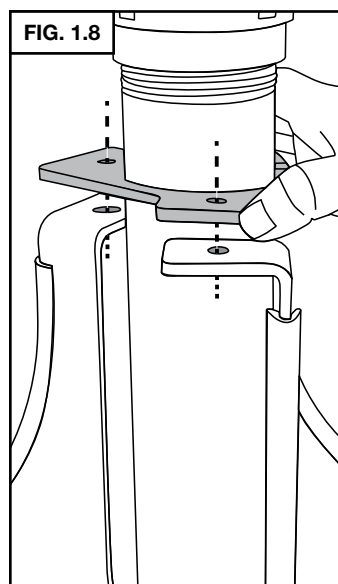
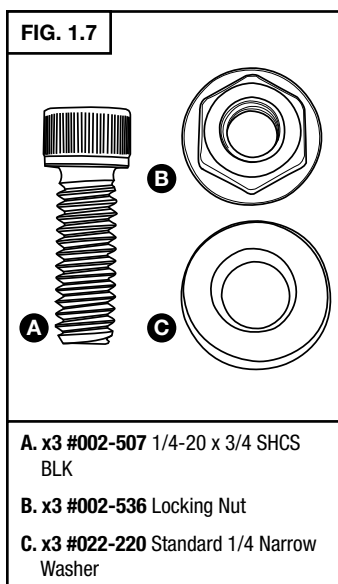
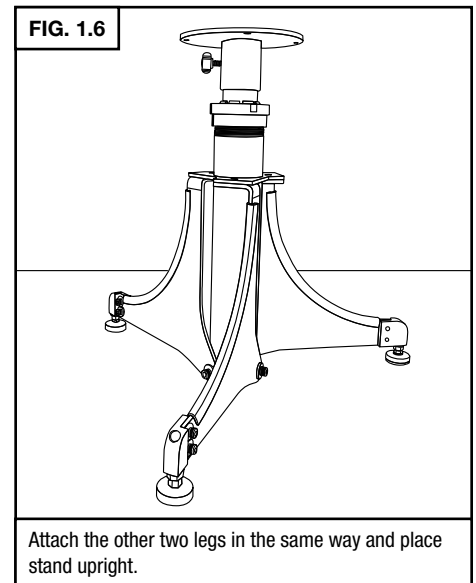
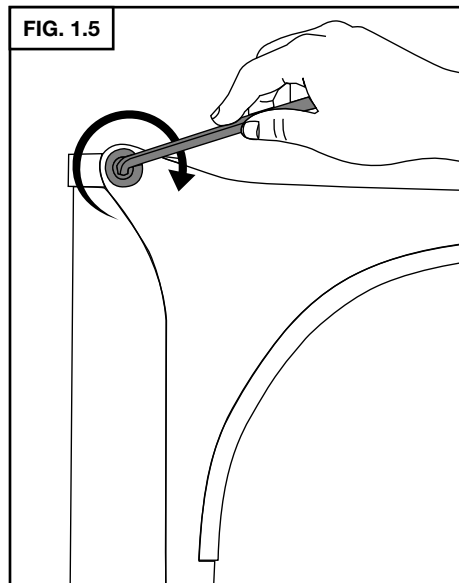
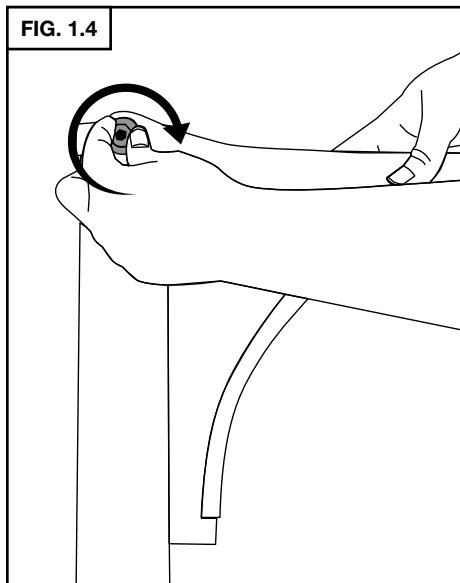
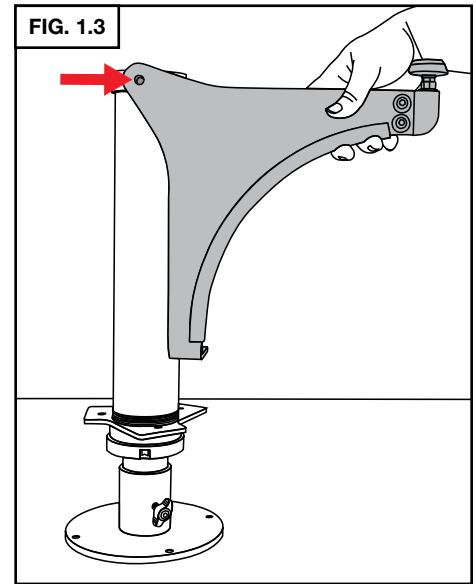
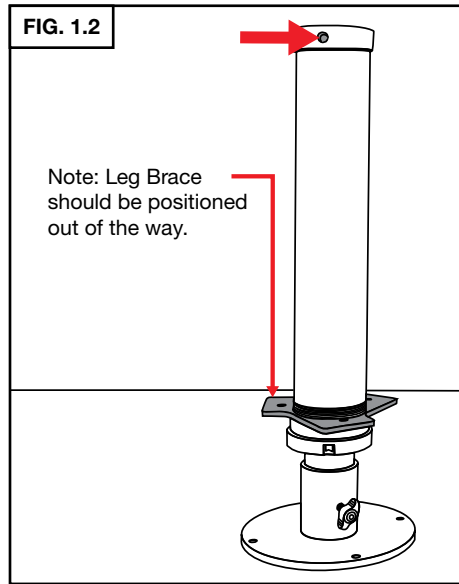
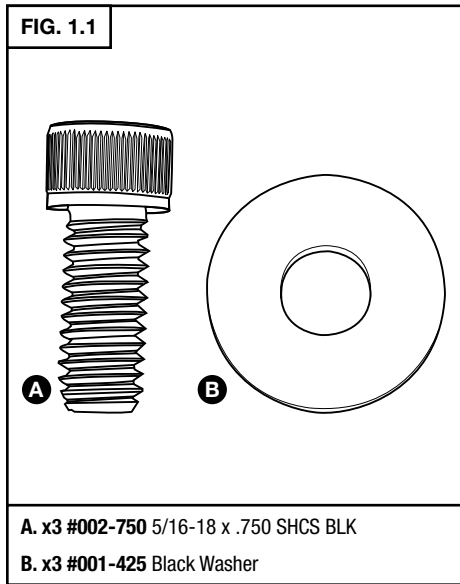
GRS[®] SATELLITE[™]



Turntable Stand

INSTRUCTIONS • #003-735

1. LEG INSTALLATION



2. HEIGHT ADJUSTMENT

FIG. 2.1

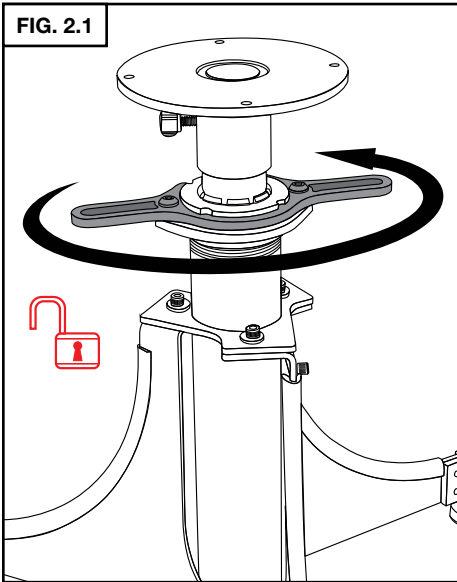


FIG. 2.2

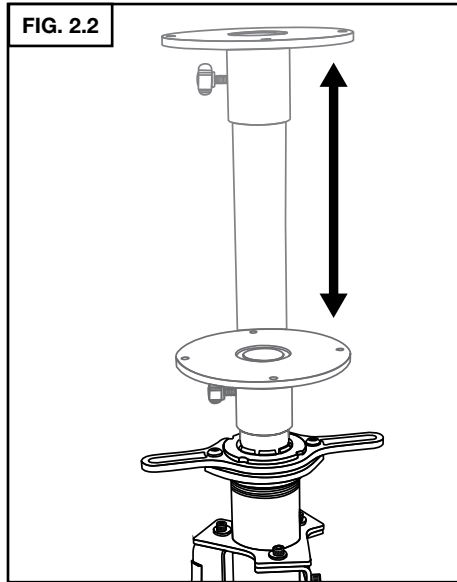
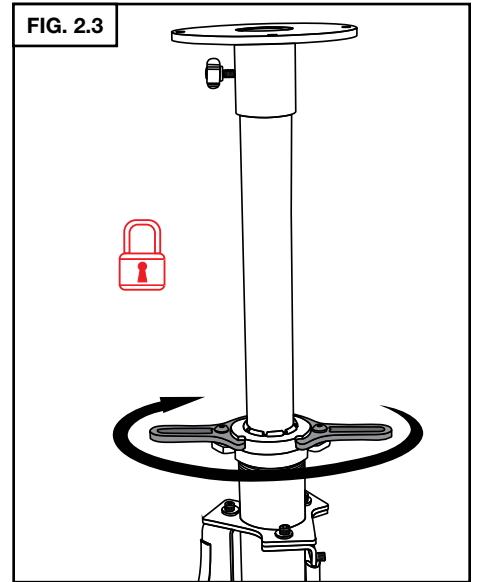


FIG. 2.3



3. TO MAKE COLLET WRENCH REMOVABLE (OPTIONAL)

FIG. 3.1

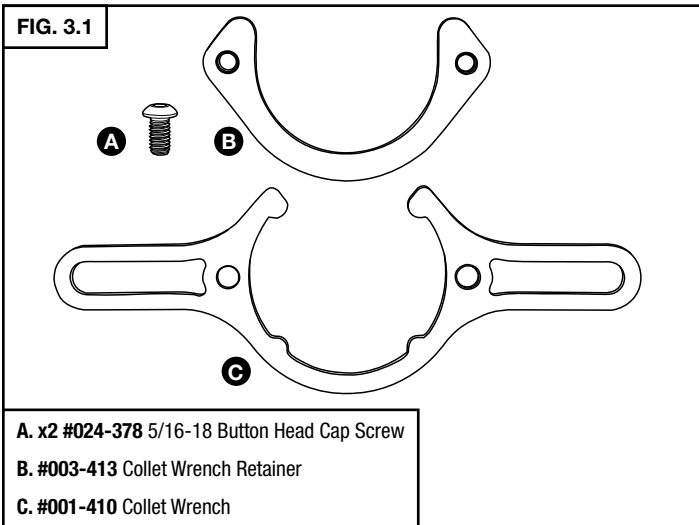


FIG. 3.2

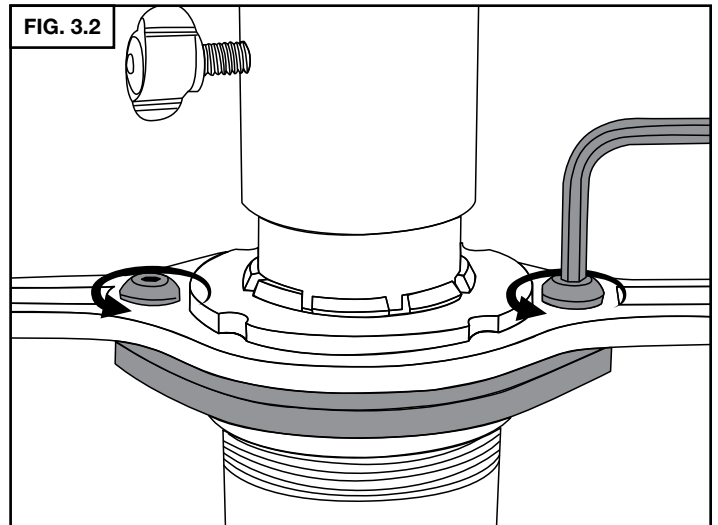
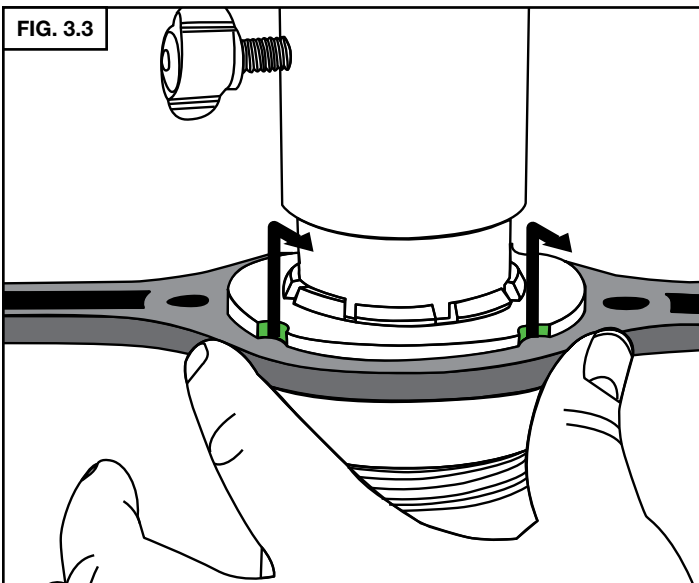


FIG. 3.3

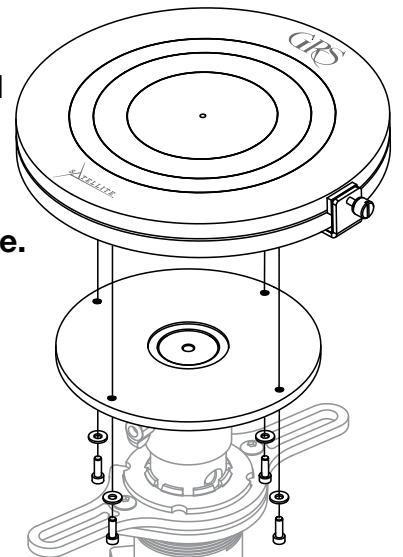


The Satellite Turntable Stand is compatible with both GRS turntables and the fixed surface.
 (Sold separately)

Satellite Turntable
 #003-656

Satellite Fixed Surface
 #003-750

Turntable Classic
 #003-616-V2



GRS[®] Satellite Turntable Stand

PARTS LIST • #003-735

| PART NO. | DESCRIPTION | QTY. |
|----------|---|------|
| 001-425 | WASHER, .312 X .875 X .145 BLK | 3 |
| 002-107 | 1/4-20 X 1/2 SHCS BLK | 6 |
| 002-110 | WASHER, #8 FLAT Z/P | 4 |
| 002-148 | 4 X 6 X 4MIL CLEAR POLY BAG | 1 |
| 002-214 | ZINC PLATED WASHER | 2 |
| 002-283 | NUT, 5/16-18 HEX Z/P | 3 |
| 002-507 | 1/4-20 X 3/4 SHCS BLK | 3 |
| 002-536 | NUT, 1/4-20 FLNG LOCK Z/P | 3 |
| 002-742 | WRENCH, 3/16 HEX | 1 |
| 002-750 | 5/16-18 X .750 SHCS BLK | 3 |
| 002-751 | WRENCH, 1/4 SHORT ARM ALLEN | 1 |
| 003-410 | COLLET NUT WRENCH FOR EXTENSION QUILL | 1 |
| 003-411 | COLLET NUT FOR TRAPPED DELRIN COLLET | 1 |
| 003-412 | EXTENSION QUILL CLAMPING COLLET | 1 |
| 003-413 | MACHINED RETAINER FOR COLLET WRENCH | 1 |
| 003-416 | GUIDE BUSHING SUPPORTING INNER SHAFT | 1 |
| 003-417 | LIFT SPRING END | 2 |
| 003-418 | LEG BRACE TO FIX LEGS TO BASE TUBE | 1 |
| 003-419 | MAIN SUPPORT TUBE STAND ALONE SUPPORT | 1 |
| 003-420 | PAINTED LEG FOR STAND ALONE TURNTABLE STAND | 3 |
| 003-421 | PUSH ON PLASTIC EDGE TRIM | 3 |
| 003-422 | LEVELING FOOT MOUNT FOR STAND LEGS | 3 |
| 003-423 | BOTTOM TUBE PLUG TO SUPPORT COUNTER BALLANCE LIFT | 1 |
| 003-731 | PLATE WELDMENT | 1 |
| 003-732 | LIFT TUBE WELDMENT | 1 |
| 022-001 | SHCS, #8-32 X .50" BLK | 4 |
| 022-102 | 9/64 SHORT ARM HEX WRENCH | 1 |
| 022-220 | STD 1/4 NARROW WASHER | 9 |
| 022-221 | STD 5/16 NARROW WASHER | 3 |
| 024-171 | 1/4-20 X 1/4" HALF DOG SOCKET HEAD SET SCREW | 1 |
| 024-312 | 1/4-20 WING SCREW X .75 THREAD LENGTH | 1 |
| 024-378 | 5/16-18 BUTTON HEAD CAP SCREW X .625 | 2 |
| 024-379 | GAS SPRING TO COUNTER BALANCE TABLEWEIGHT | 1 |
| 024-380 | LEVELING FOOT | 3 |

